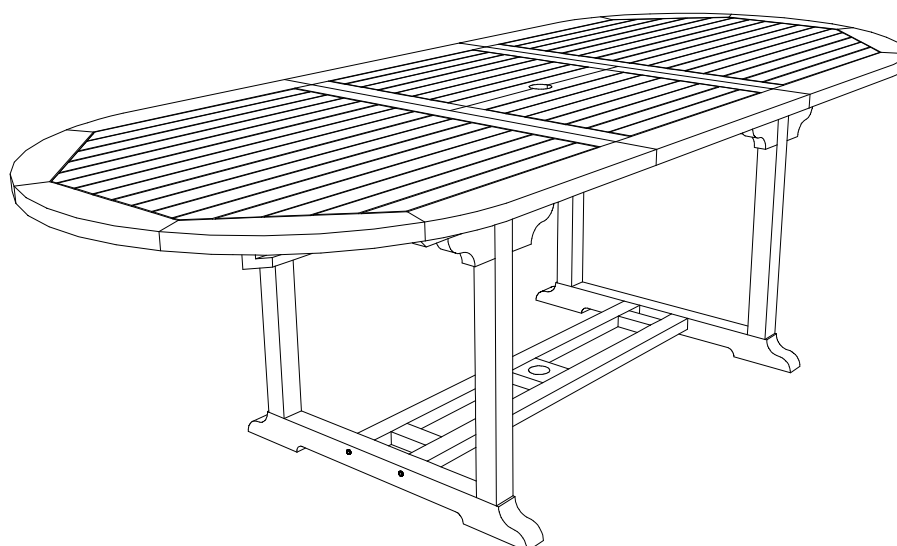


DIN0032

Capri Acacia Dining Outdoor Oval Table 160/210



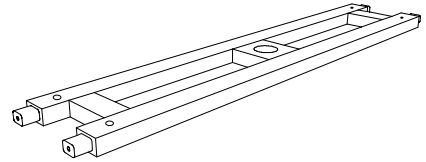
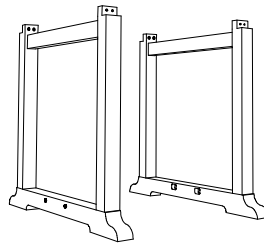
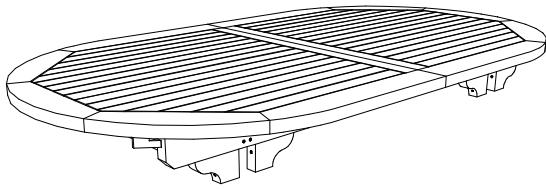
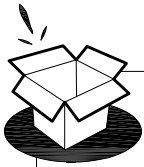
(FR) Notice de Montage -
Utilisation - Entretien

(IT) Istruzioni per il Montaggio,
l'Uso e la Manutenzione

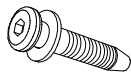
(DE) Montage - Verwendung -
Wartungshandbuch

(ES) Instrucciones de Montaje,
Utilización y Mantenimiento

(EN) Assembly - Use -
Maintenance Manual



Connector Bolt 35mm



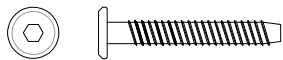
A x8

Allen Key



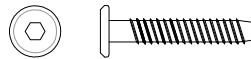
E x1

JCBC Bolt - 80 mm



B x4

JCBC Bolt - 60 mm



F x1

Cross Nut - 6x13 mm

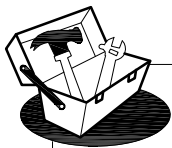
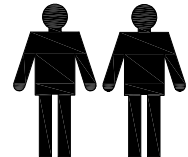
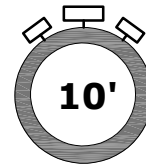


C x4

Umbrella hole cover - Ø50 mm



D x1



**NOT INCLUDED
NON FOURNIS**



B x4



C x4

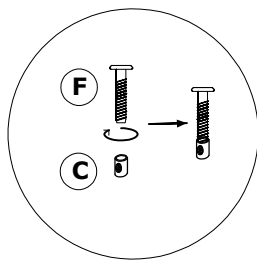


E x1

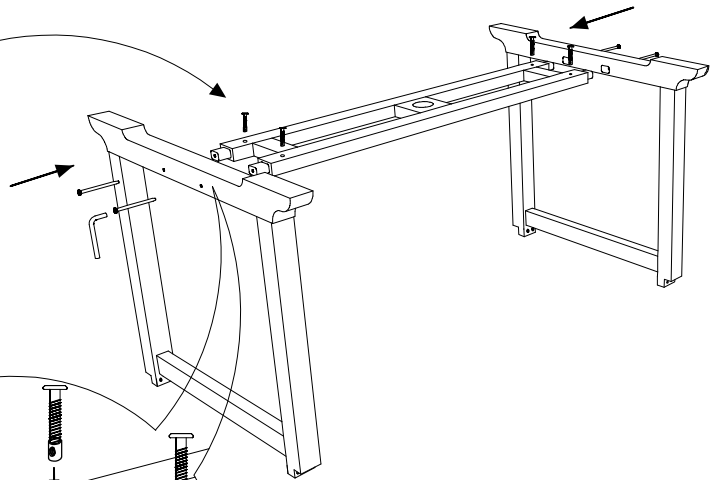
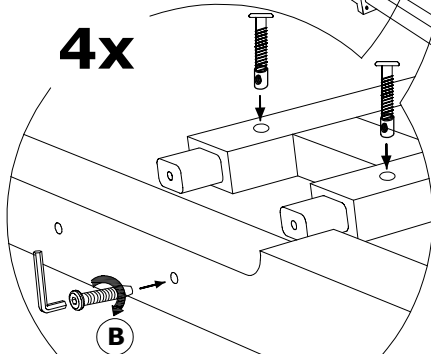


F x1

i



4x

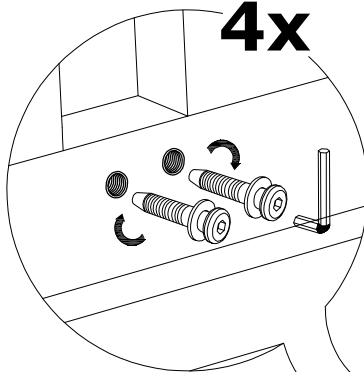


A x8

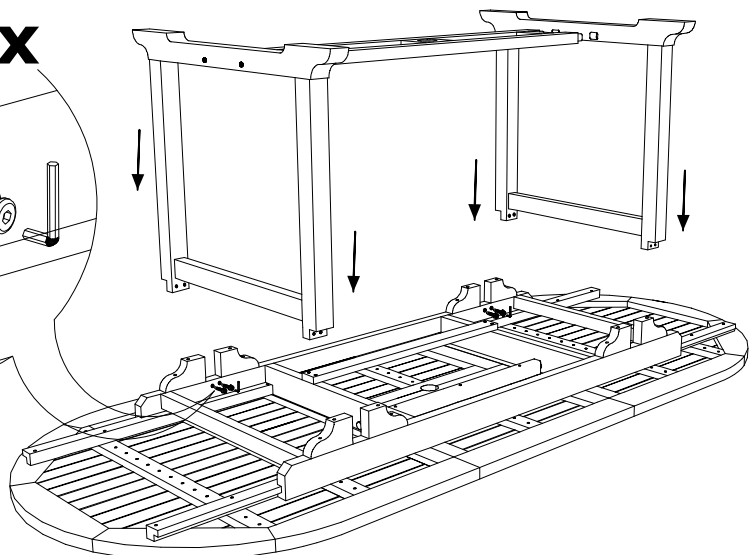


E x1

ii



4x





Ⓓ x1

iii

