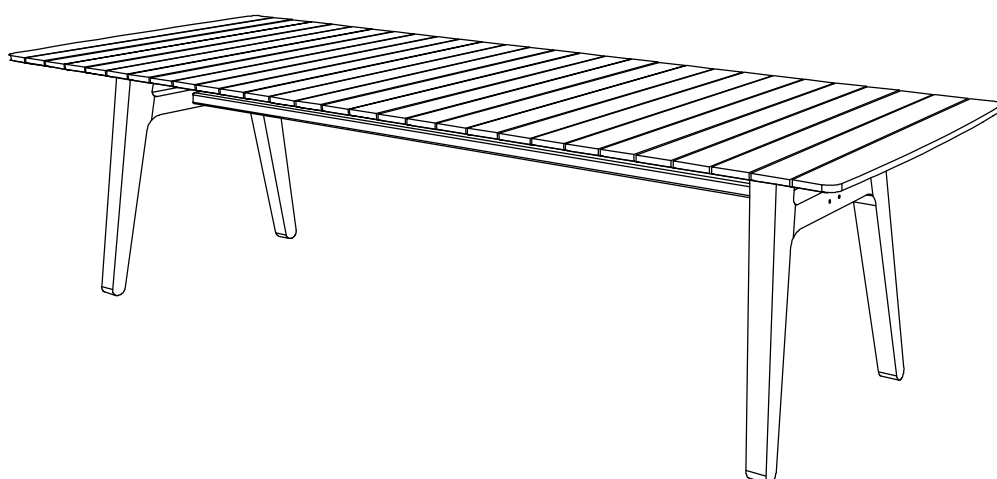


**DIN0029**

# **Antioni Teak Dining Table 280**



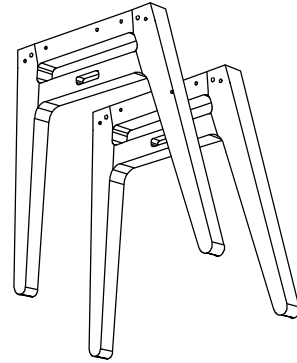
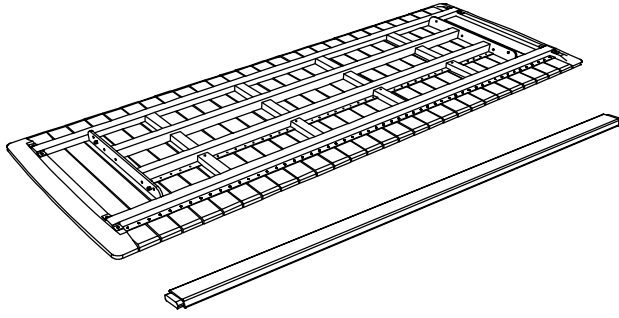
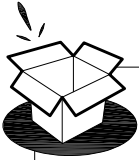
**(FR) Notice de Montage -  
Utilisation - Entretien**

**(IT) Istruzioni per il Montaggio,  
l'Uso e la Manutenzione**

**(DE) Montage - Verwendung -  
Wartungshandbuch**

**(ES) Instrucciones de Montaje,  
Utilización y Mantenimiento**

**(EN) Assembly - Use -  
Maintenance Manual**



Locating Pins



**A** x4

JCBC Bolt



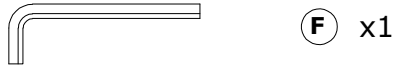
**B** x4

Bolt L



**C** x12

L Key



**F** x1

Flat Ring Washer

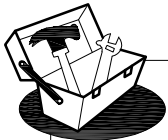
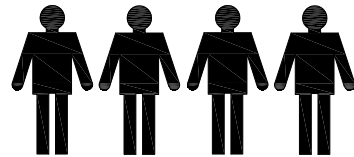
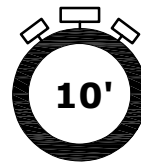


**D** x12

Veer Ring Washer



**E** x12

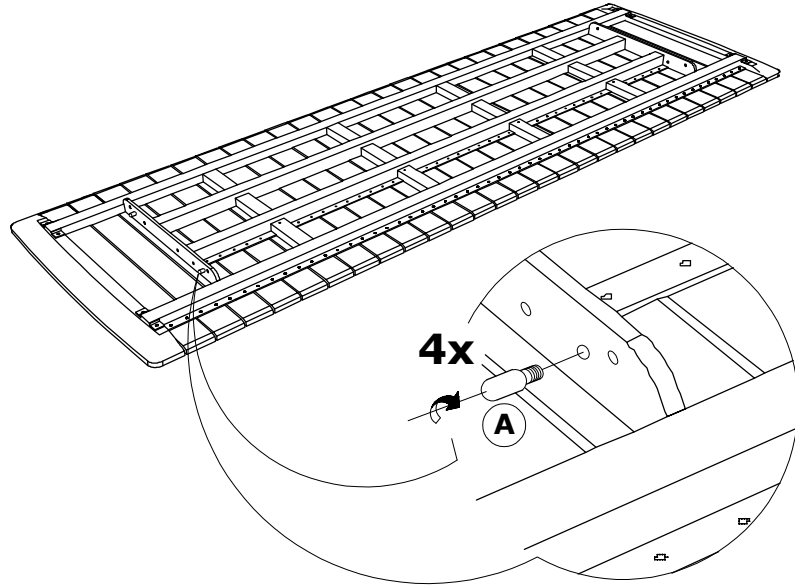


**NOT INCLUDED  
NON FOURNIS**

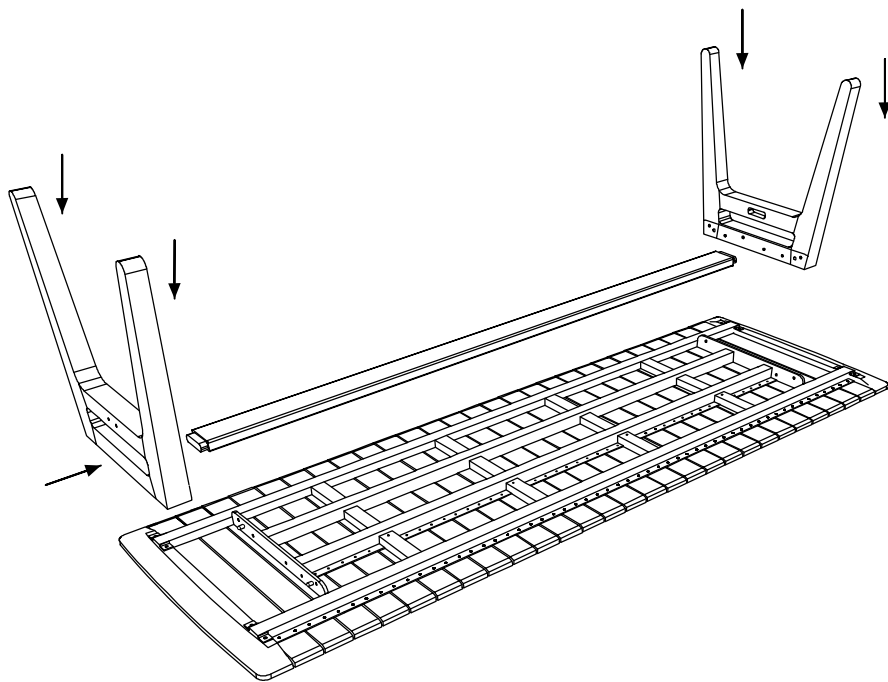


**A** x4

**i**

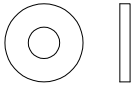


**ii**





C x6



D x6

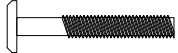
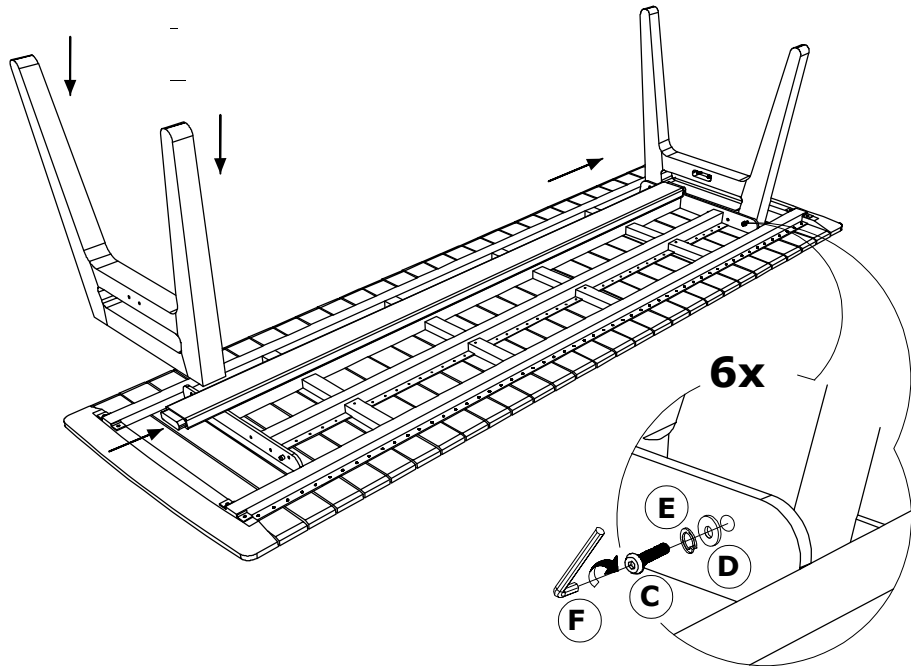


E x6



F x1

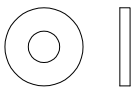
iii



B x4



C x6



D x6

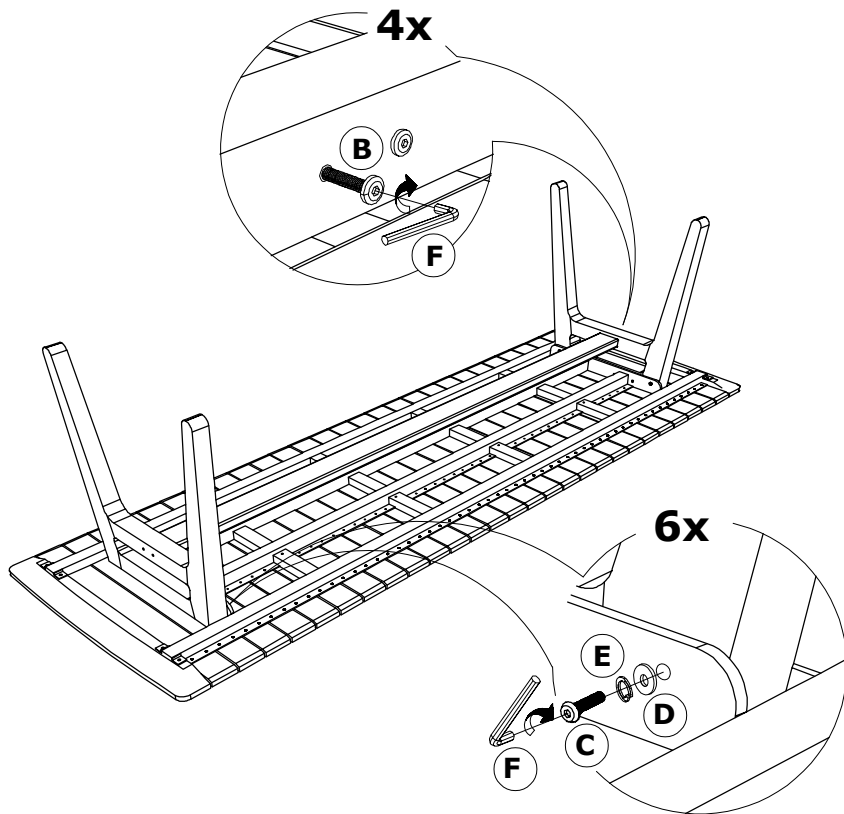


E x6



F x1

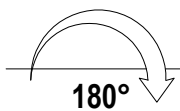
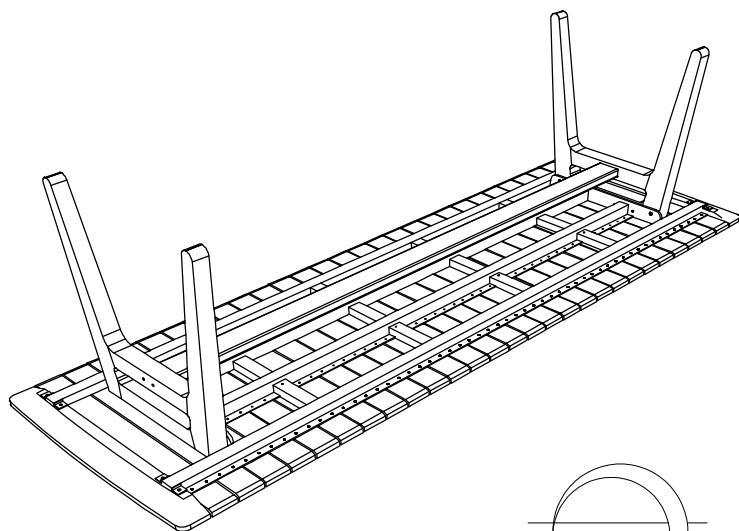
iv



**V**



**Four  
person lift  
required**



**180°**

