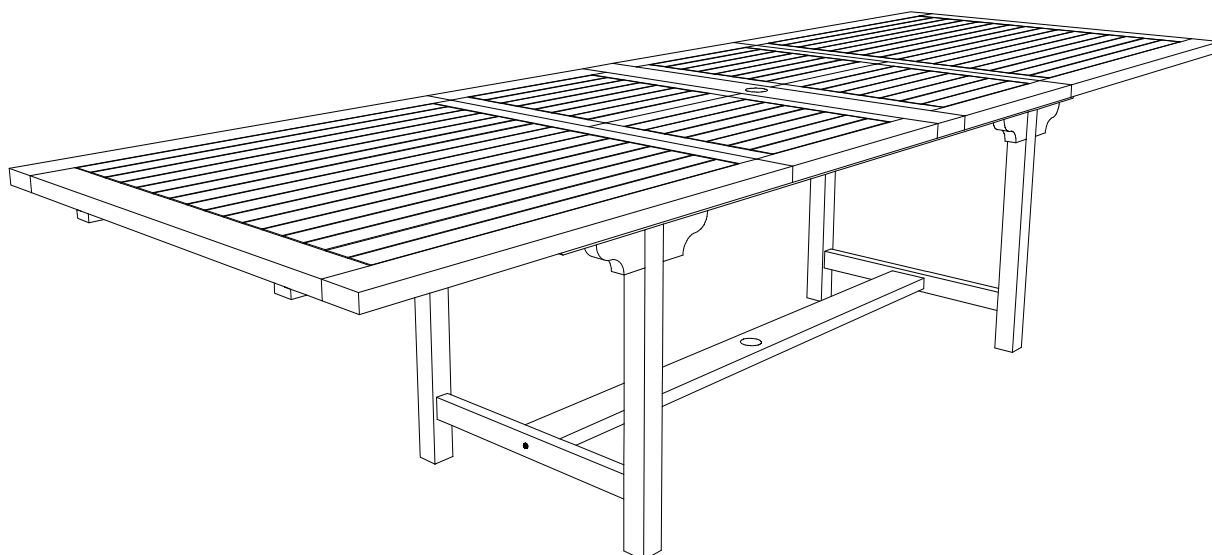


DIN0006

Capri Acacia Outdoor Dining Rectangular Table 200/300



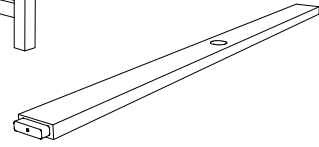
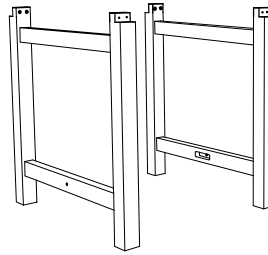
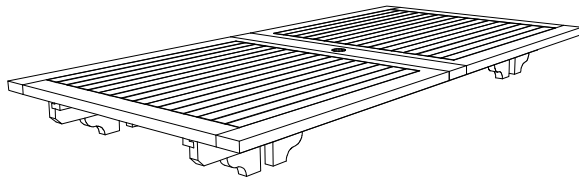
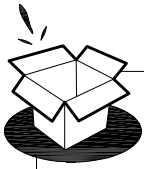
(FR) Notice de Montage -
Utilisation - Entretien

(IT) Istruzioni per il Montaggio,
l'Uso e la Manutenzione

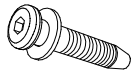
(DE) Montage - Verwendung -
Wartungshandbuch

(ES) Instrucciones de Montaje,
Utilización y Mantenimiento

(EN) Assembly - Use -
Maintenance Manual

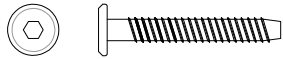


Connector Bolt 35mm



A x8

JCBC Bolt - 60 mm



B x3

Cross Nut - 6x13 mm



C x2

Umbrella hole cover - Ø50 mm

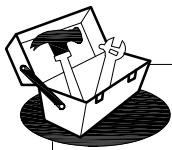
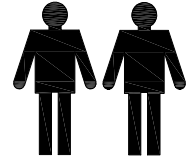
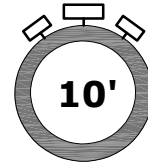


D x1

Allen Key



E x1



NOT INCLUDED
NON FOURNIS



B x3

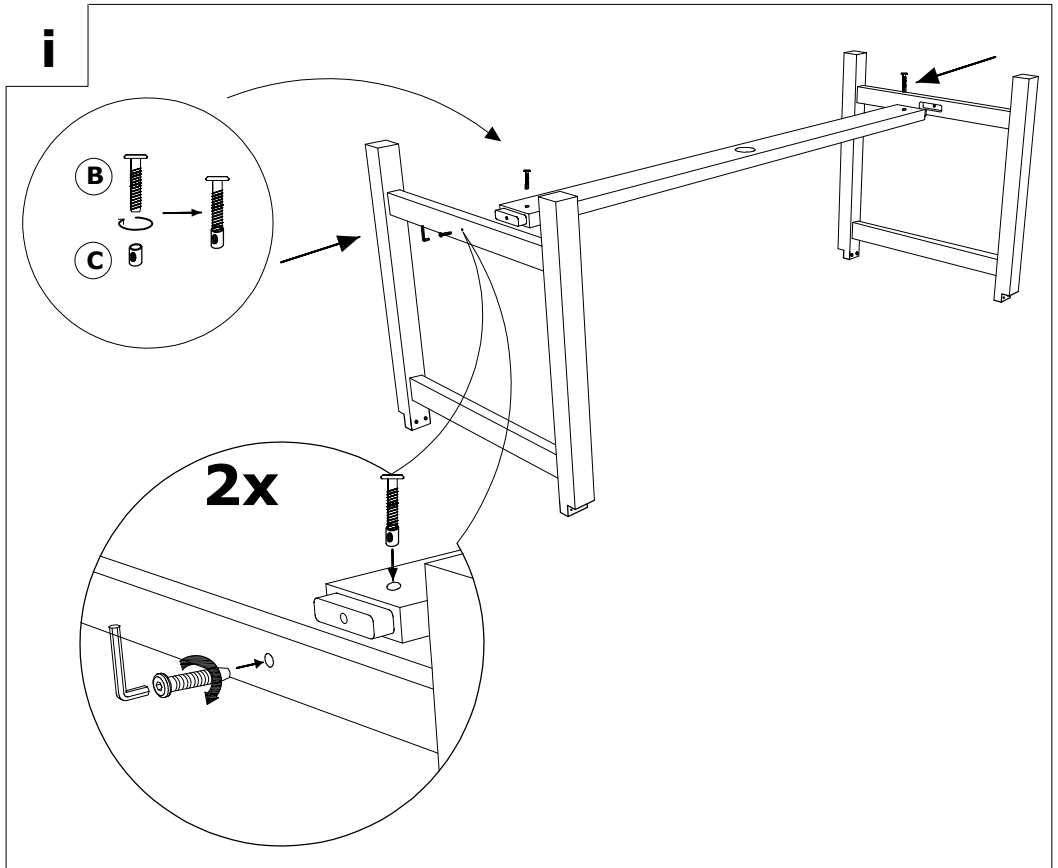


C x2



E x1

i

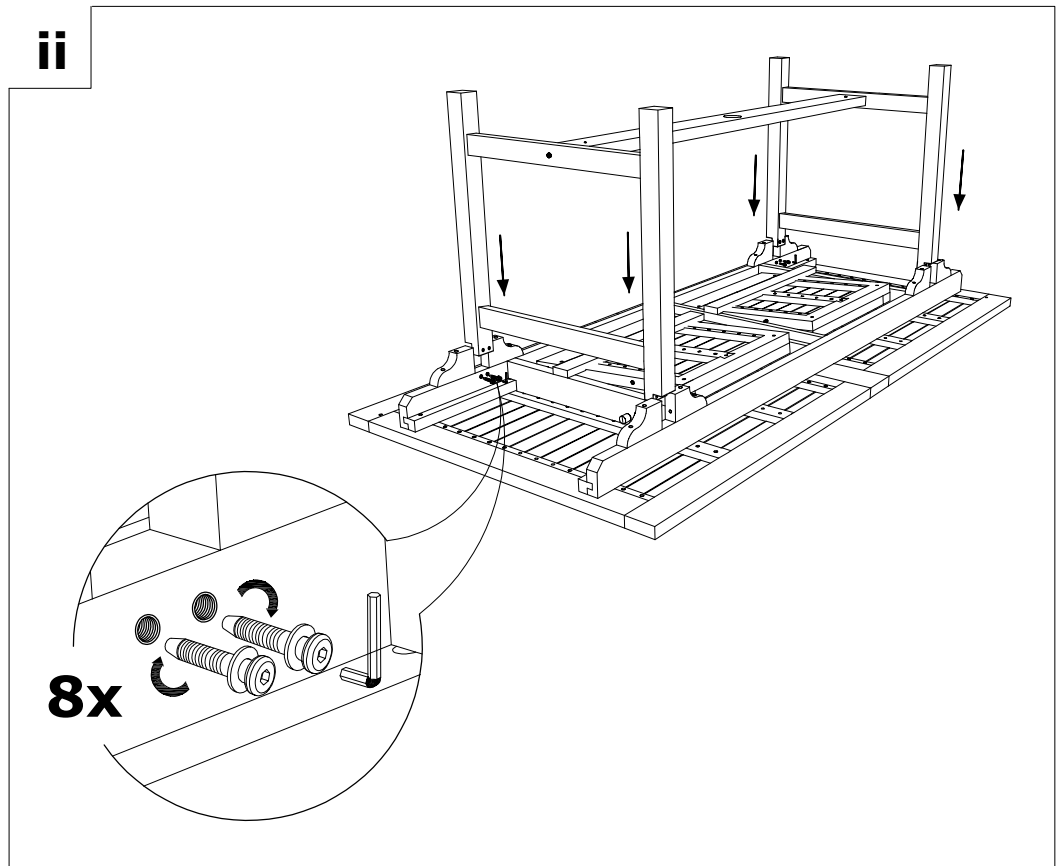


A x8



E x1

ii





ⓓ x1

iii

