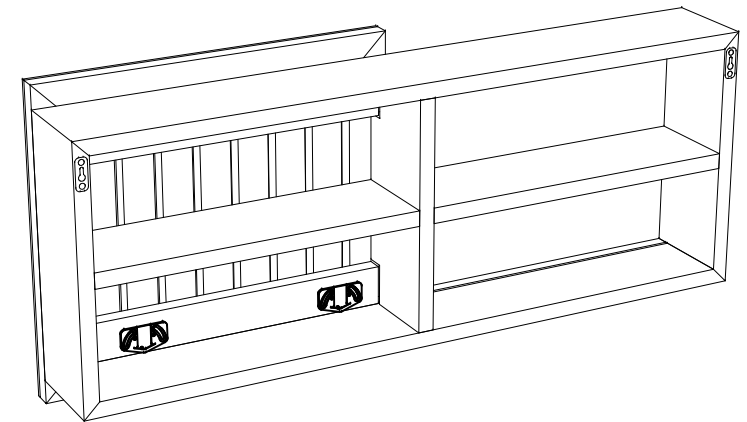
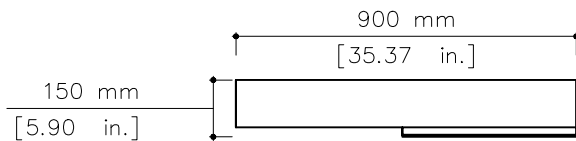
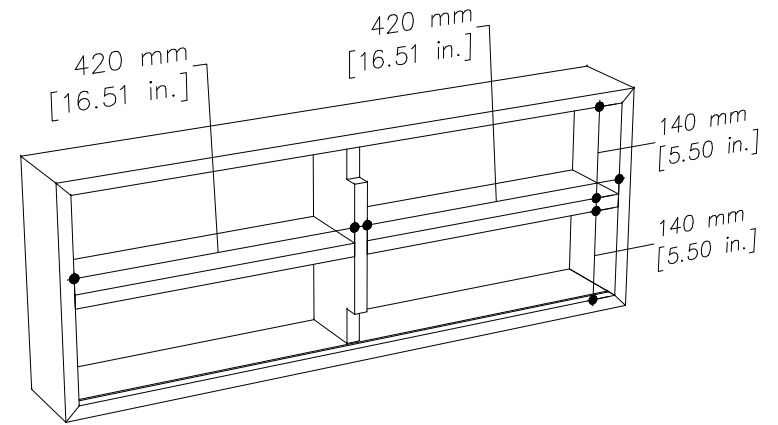
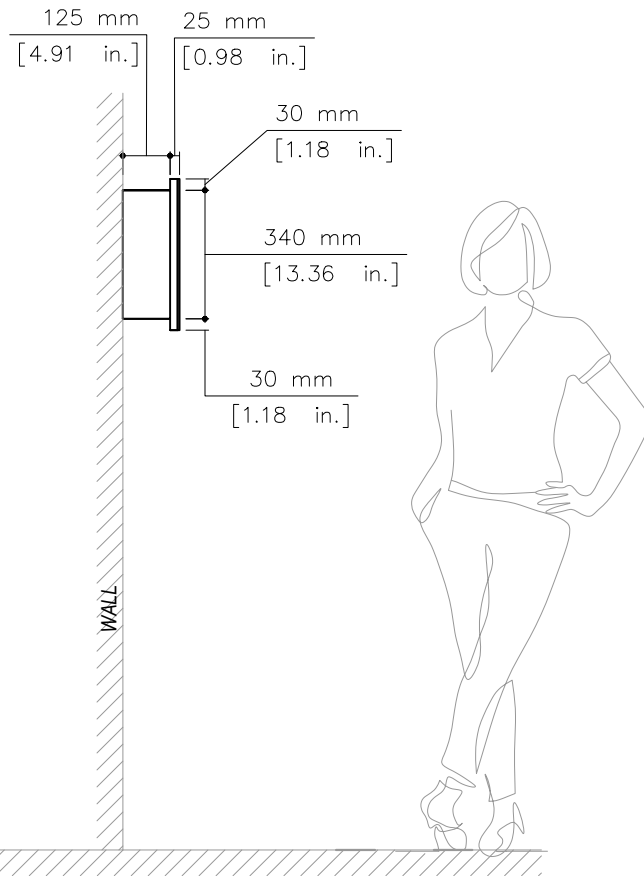
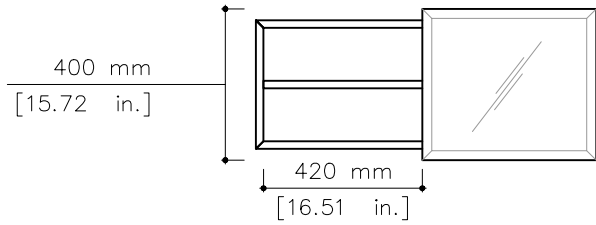


# tikamoon



TYP1\_3



**W x D x H (mm)**  
**1005 x 455 x 235**

**W x D x H (in.)**  
**39.56 x 17.91 x 9.25**