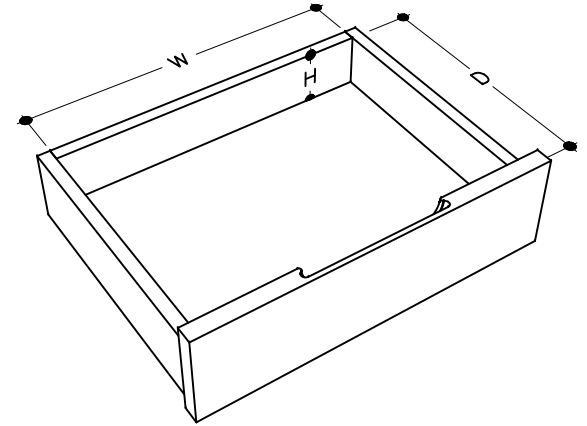
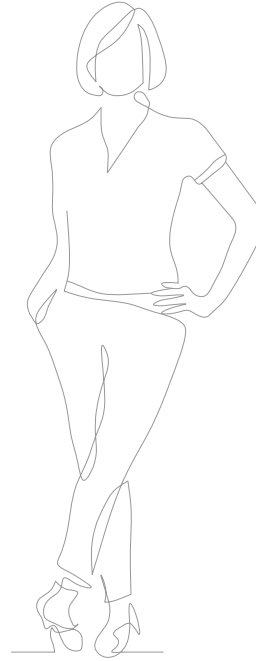
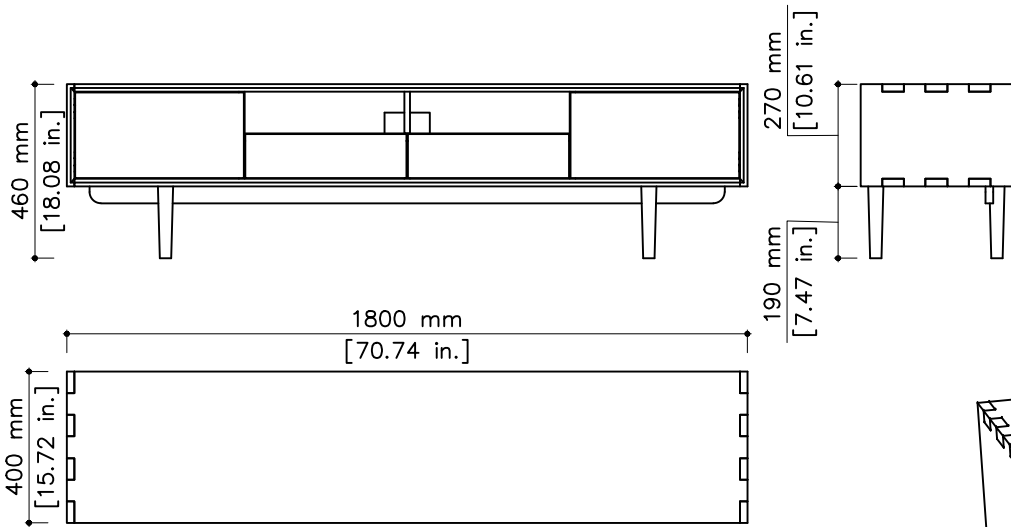
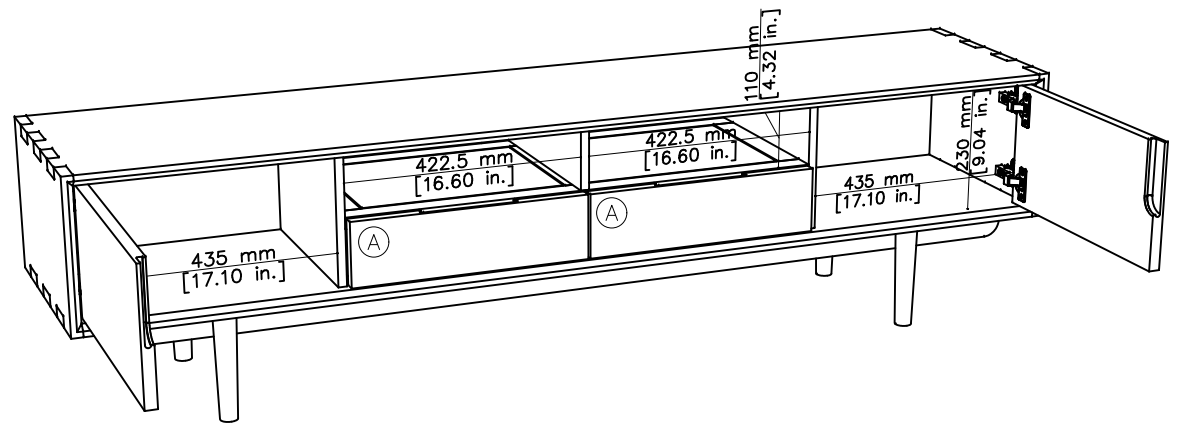


tikamoon



$\frac{W \times D \times H}{\text{A}} \frac{382 \times 285 \times 65 \text{ mm}}{15.03 \times 11.22 \times 2.55 \text{ in.}}$



TVS0009



H W x D x H (mm) **W x D x H (in.)**
 1890 x 530 x 350 74.40 x 20.86 x 13.77 in.