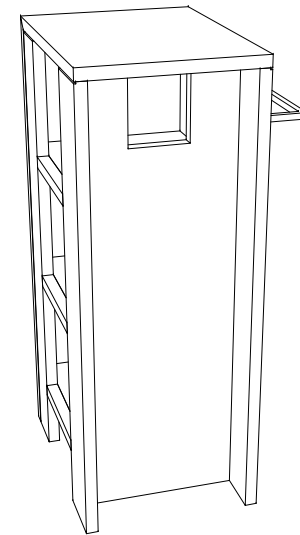
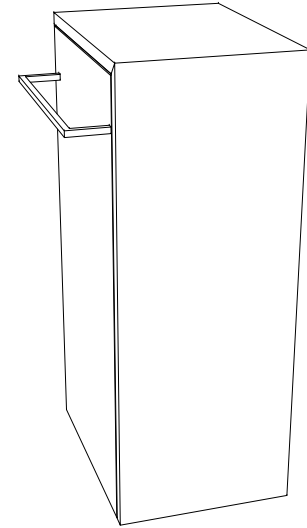
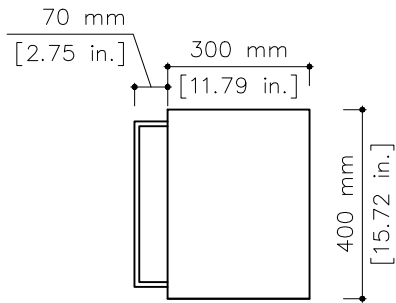
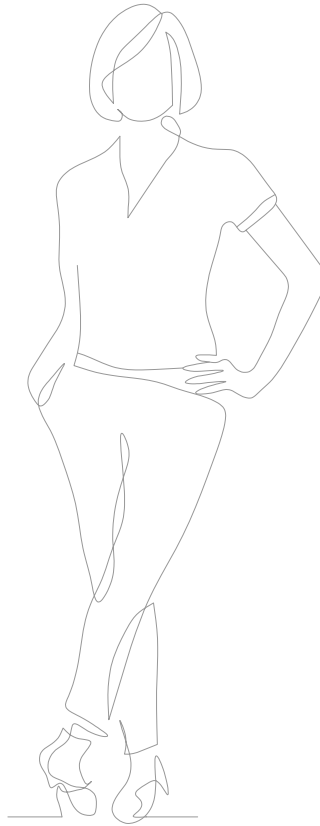
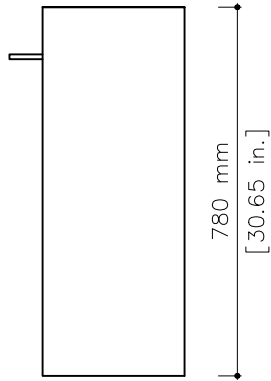
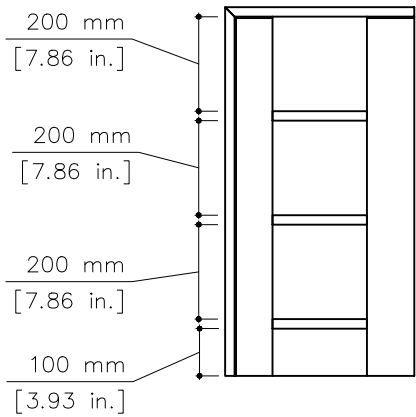


# tikamoon



STE2G\_2



<u>W x D x H (mm)</u>	<u>W x D x H (in.)</u>
470 x 380 x 880	18.50 x 14.96 x 34.64