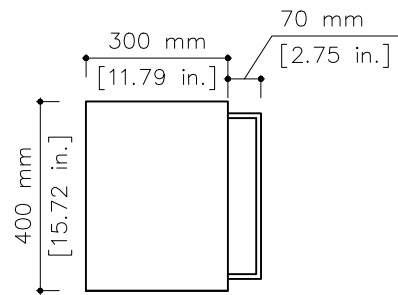
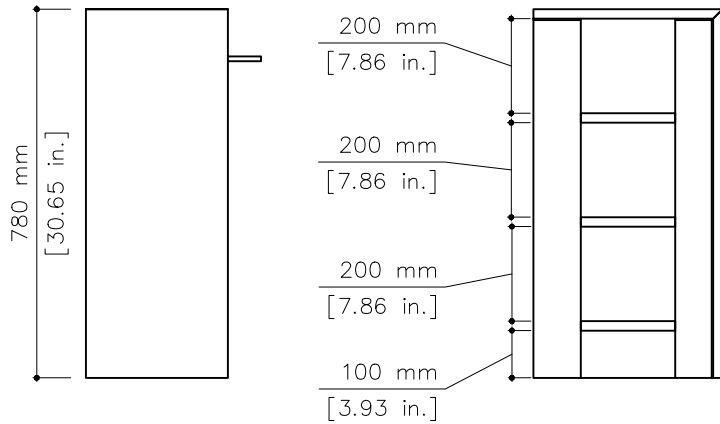
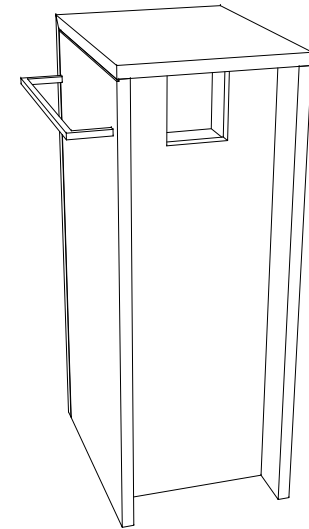
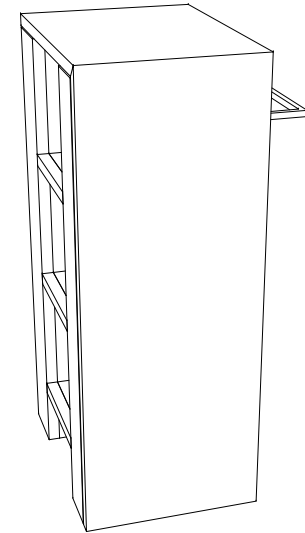
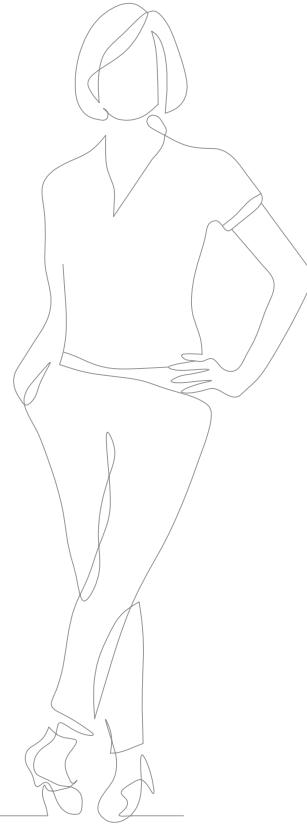


tikamoon



STE2D_2



W x D x H (mm) **W x D x H (in.)**
470 x 375 x 875 **18.50 x 14.76 x 34.44**