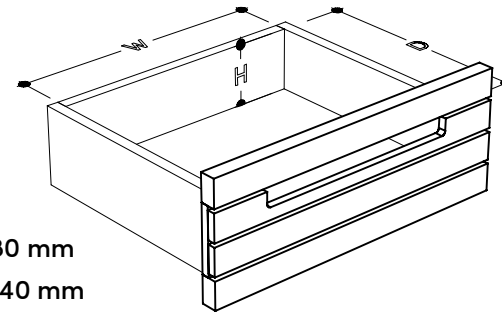
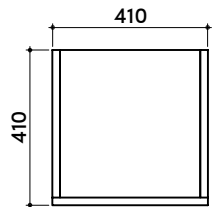
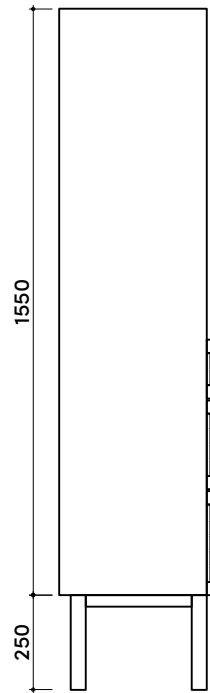
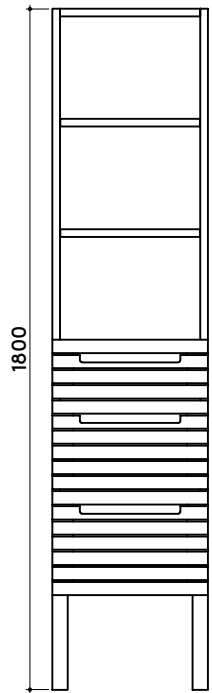
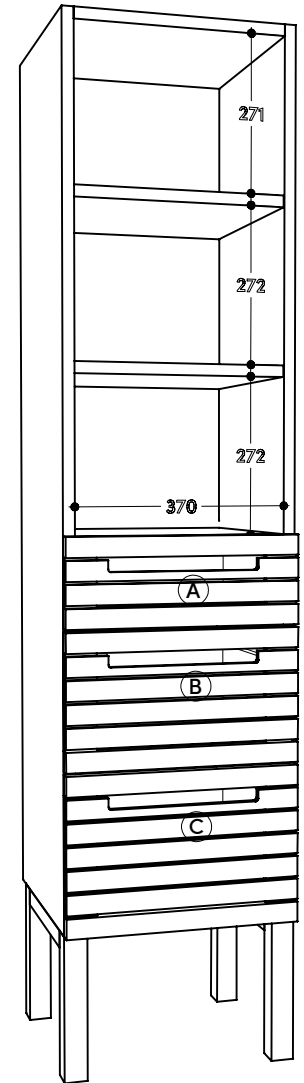


# tikamoon

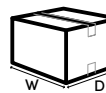


## W x D x H

- (A) 330 x 285 x 80 mm
- (B) 330 x 285 x 140 mm
- (C) 330 x 285 x 165 mm



SSND11\_2



W x D x H (mm)  
450 x 450 x 1600