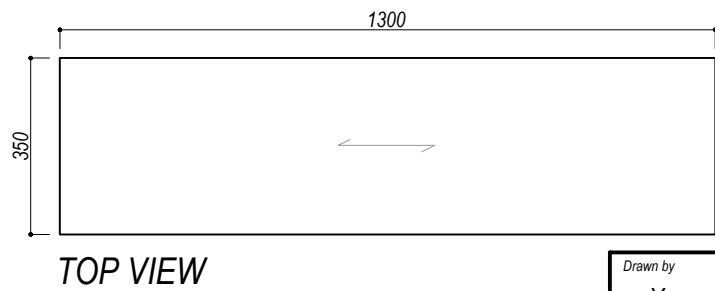
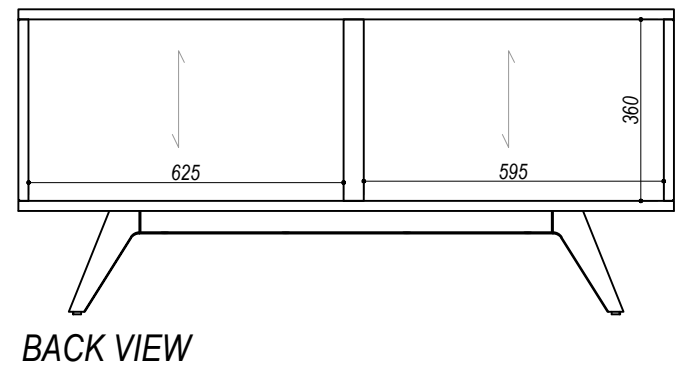
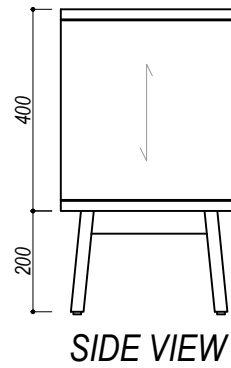
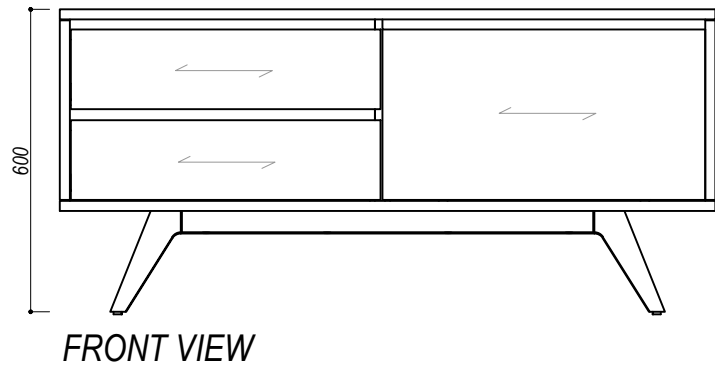
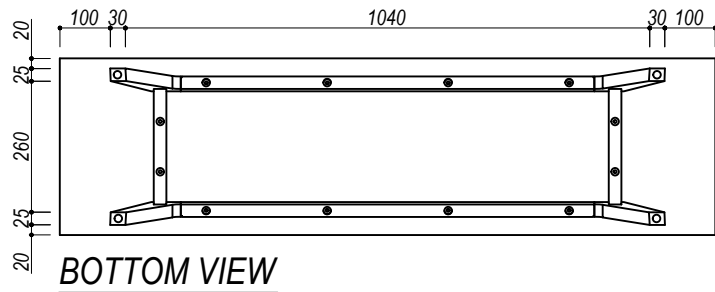

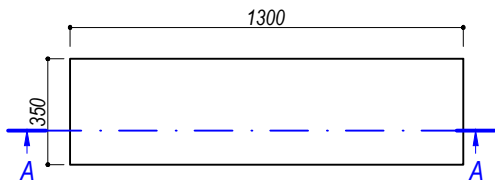


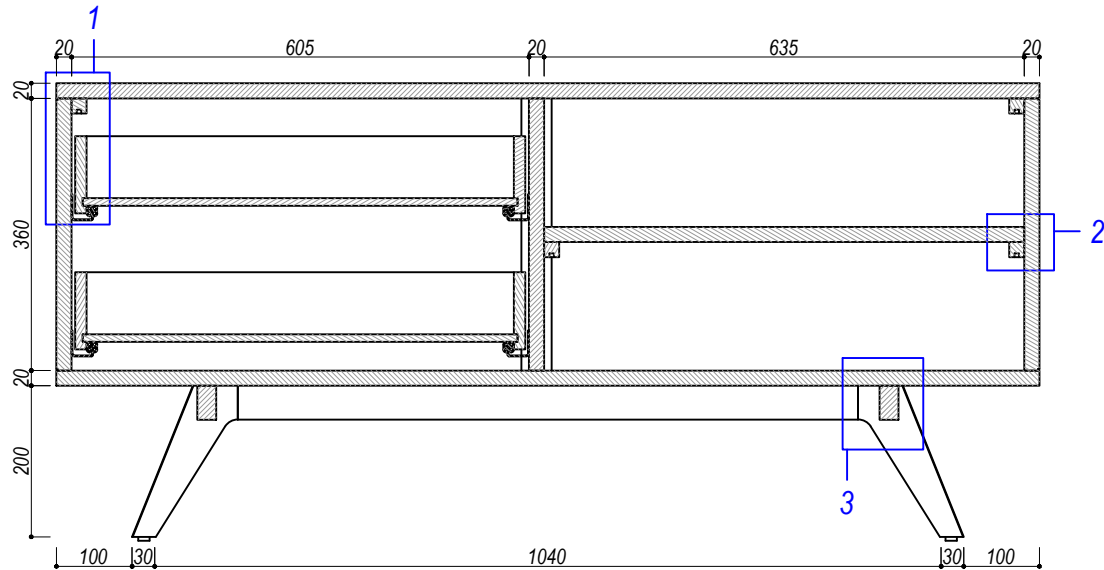
Drawn by <b>Yono</b>	Approved by <b>Sinda</b>	Document Types <b>Technical Drawing</b>	PU Code <b>SID0063</b>	Document Status <b>Released</b>	
<b>tikamoon</b> 4, Allée du Progrès - Area Park Bâtiment 4 - 59320 Englos			PU Description <b>Esmee Acacia Sideboard 130</b>	Finishing	Scale <b>nts</b>
				Rev <b>00</b>	Date of issue <b>2022/03/22</b>



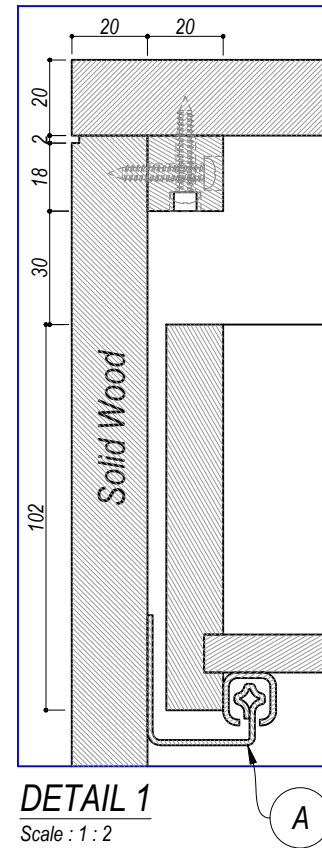
Drawn by <b>Yono</b>	Approved by <b>Sinda</b>	Document Types <b>Technical Drawing</b>	PU Code <b>SID0063</b>	Document Status <b>Released</b>	
 4, Allée du Progrès - Area Park Bâtiment 4 - 59320 Englos			PU Description <b>Esmee Acacia Sideboard 130</b>	Finishing	Scale <b>1 : 15</b>
			Rev <b>00</b>	Date of issue <b>2022/03/22</b>	Size <b>A4</b>



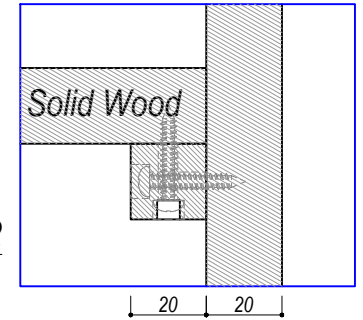
FRONT VIEW



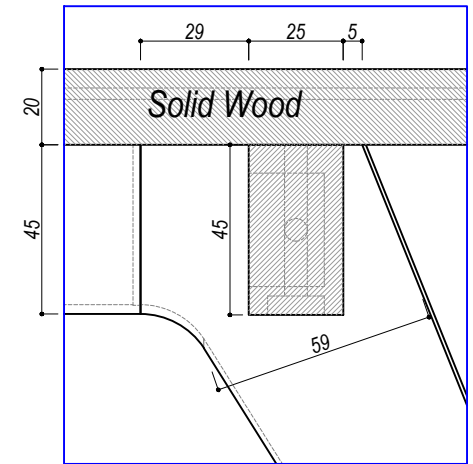
SECTION A-A



DETAIL 1  
Scale : 1 : 2

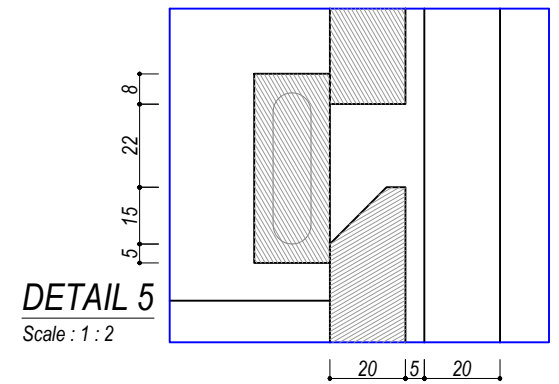
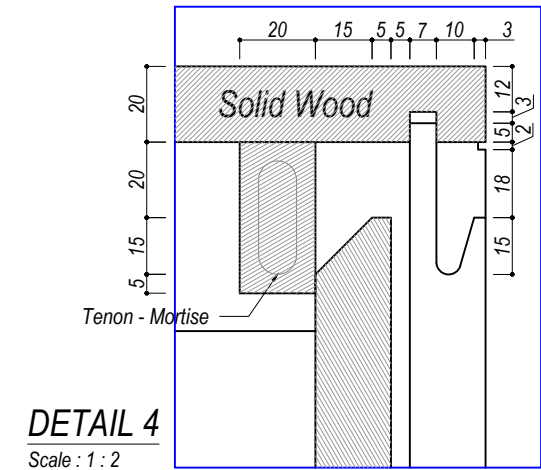
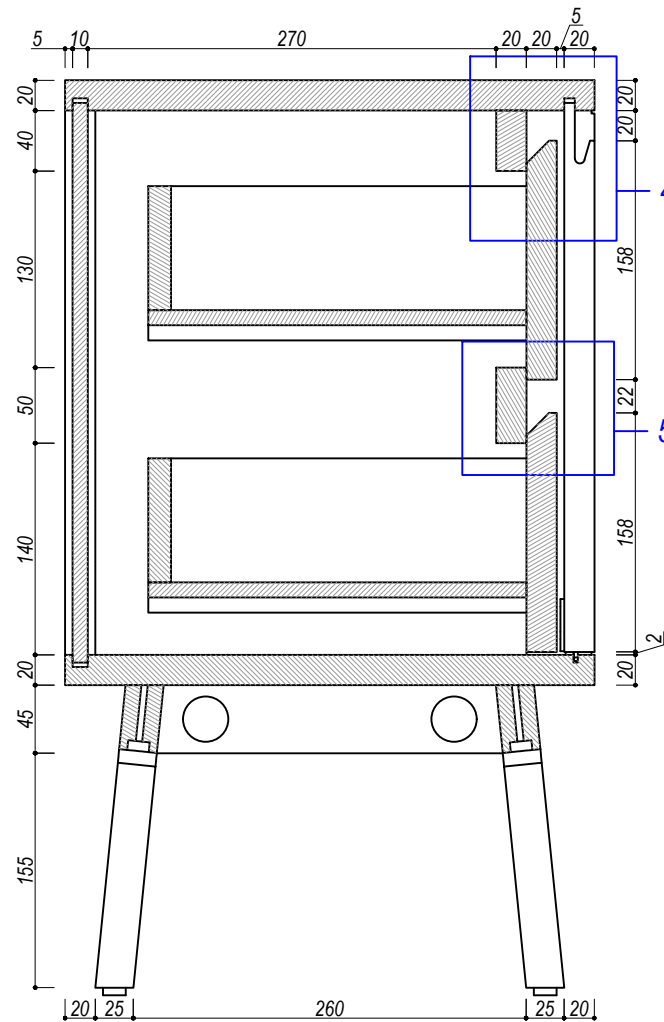
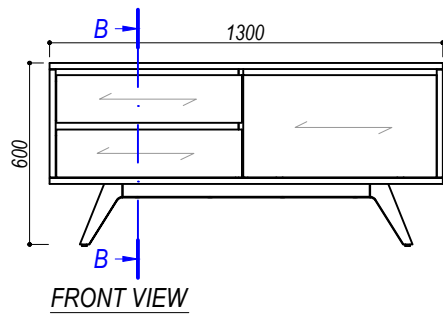


DETAIL 2  
Scale : 1 : 2




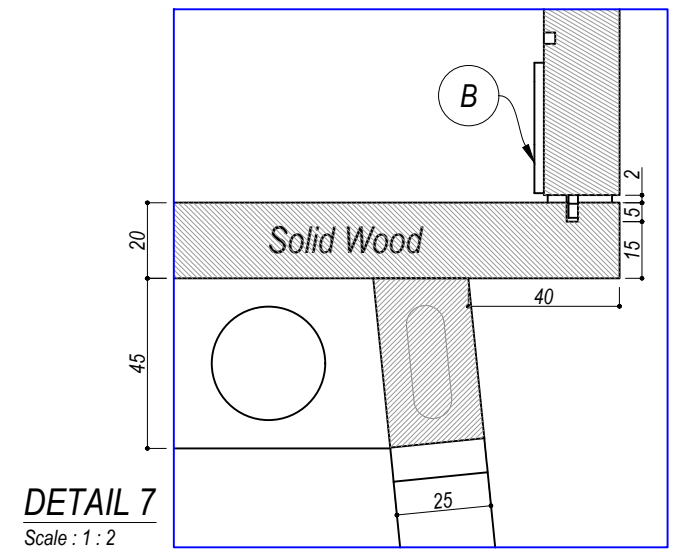
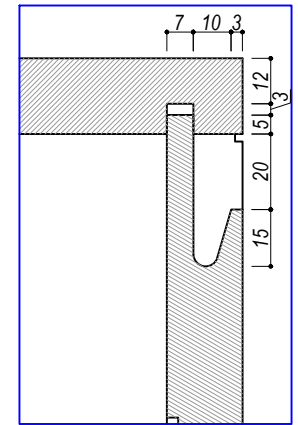
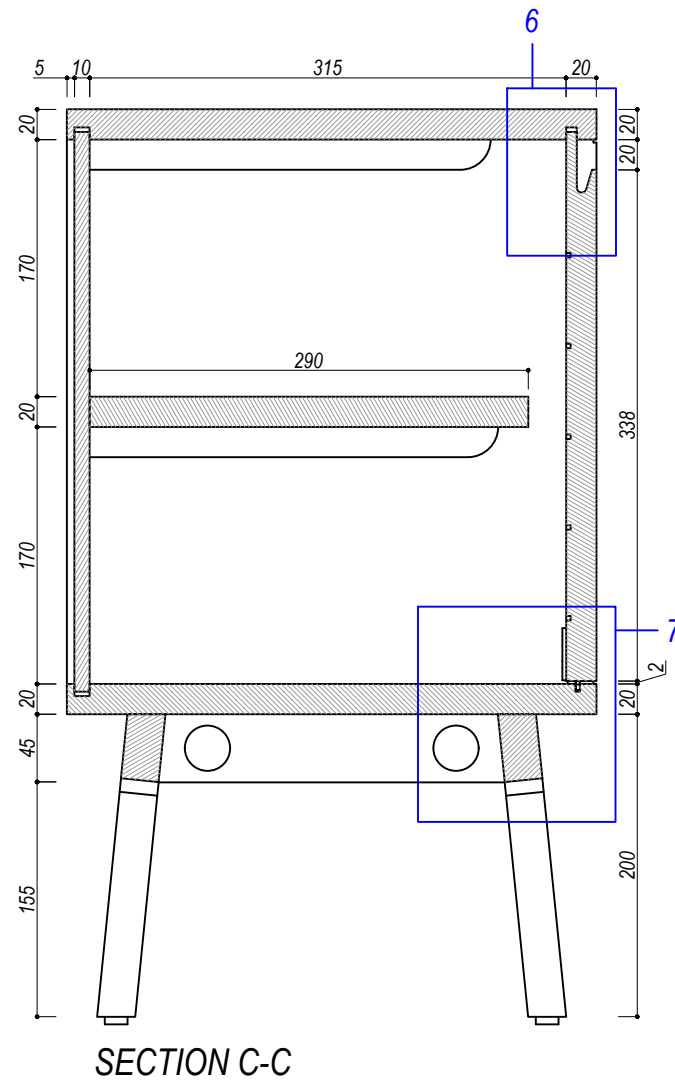
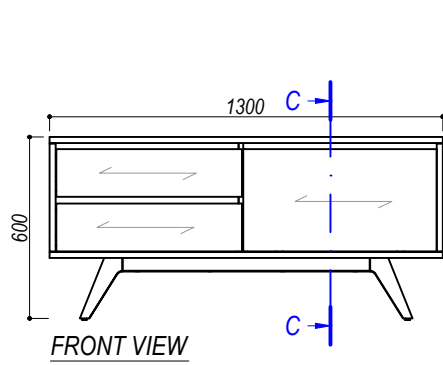
DETAIL 3  
Scale : 1 : 2


Drawn by <b>Yono</b>	Approved by <b>Sinda</b>	Document Types <b>Technical Drawing</b>	PU Code <b>SID0063</b>	Document Status <b>Released</b>	
 4, Allée du Progrès - Area Park Bâtiment 4 - 59320 Englos			PU Description <b>Esmee Acacia Sideboard 130</b>	Finishing	Scale <b>1 : 10</b>
			Rev <b>00</b>	Date of issue <b>2022/03/22</b>	Size <b>A4</b>

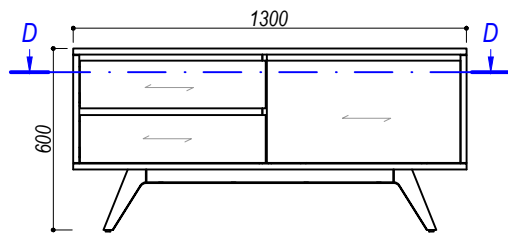


**SECTION B-B**

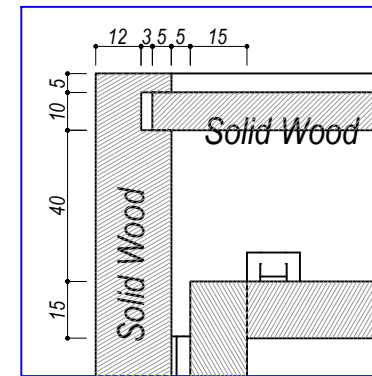
Drawn by <b>Yono</b>	Approved by <b>Sinda</b>	Document Types <b>Technical Drawing</b>	PU Code <b>SID0063</b>	Document Status <b>Released</b>		
 4, Allée du Progrès - Area Park Bâtiment 4 - 59320 Englos			PU Description <b>Esmee Acacia Sideboard 130</b>	Finishing		Scale <b>1 : 5</b>
				Rev <b>00</b>	Date of issue <b>2022/03/22</b>	Size <b>A4</b>



Drawn by <b>Yono</b>	Approved by <b>Sinda</b>	Document Types <b>Technical Drawing</b>	PU Code <b>SID0063</b>	Document Status <b>Released</b>		
 4, Allée du Progrès - Area Park Bâtiment 4 - 59320 Englos			PU Description <b>Esmee Acacia Sideboard 130</b>	Finishing	Scale <b>1 : 5</b>	
			Rev <b>00</b>	Date of issue <b>2022/03/22</b>	Size <b>A4</b>	Sheet <b>5 / 9</b>

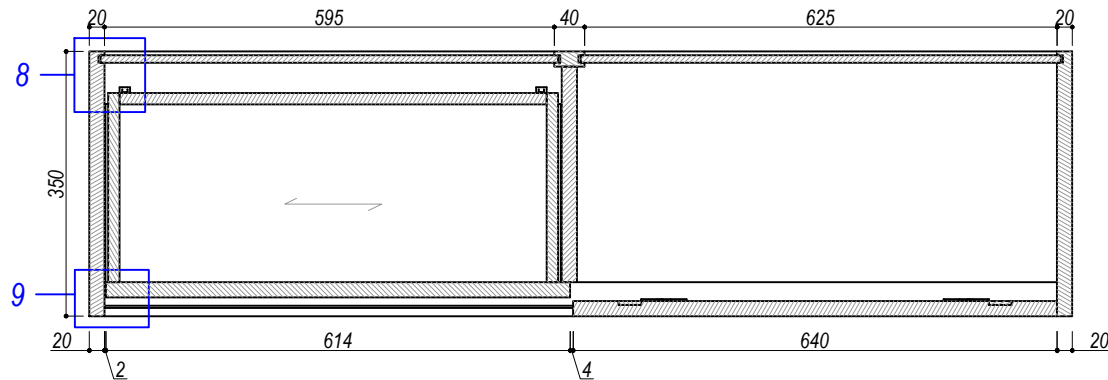


FRONT VIEW

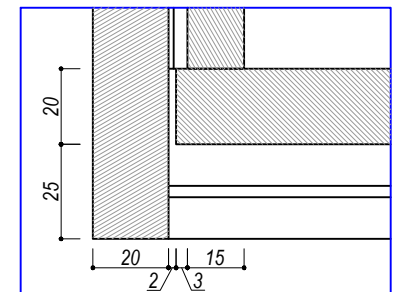


DETAIL 8

Scale : 1 : 2




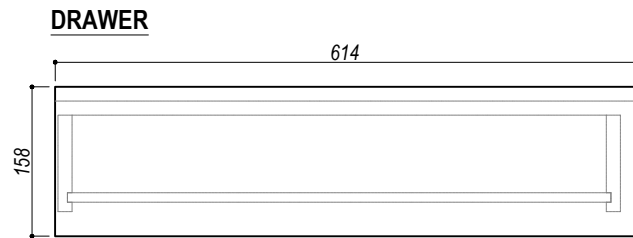
SECTION D-D



DETAIL 9

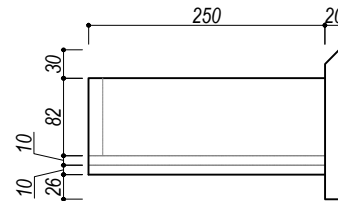
Scale : 1 : 2

Drawn by <b>Yono</b>	Approved by <b>Sinda</b>	Document Types <b>Technical Drawing</b>	PU Code <b>SID0063</b>	Document Status <b>Released</b>	
 4, Allée du Progrès - Area Park Bâtiment 4 - 59320 Englos			PU Description <b>Esmee Acacia Sideboard 130</b>	Finishing	Scale <b>1 : 10</b>
			Rev <b>00</b>	Date of issue <b>2022/03/22</b>	Size <b>A4</b>

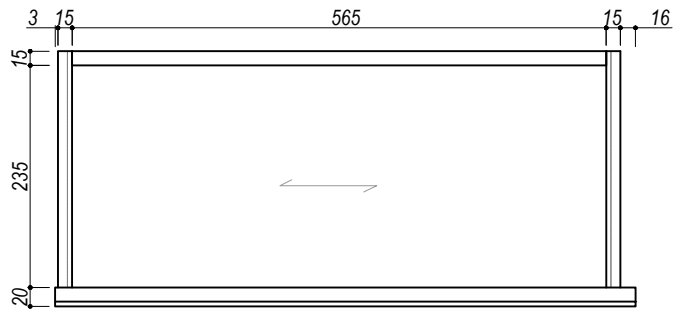


**DRAWER**

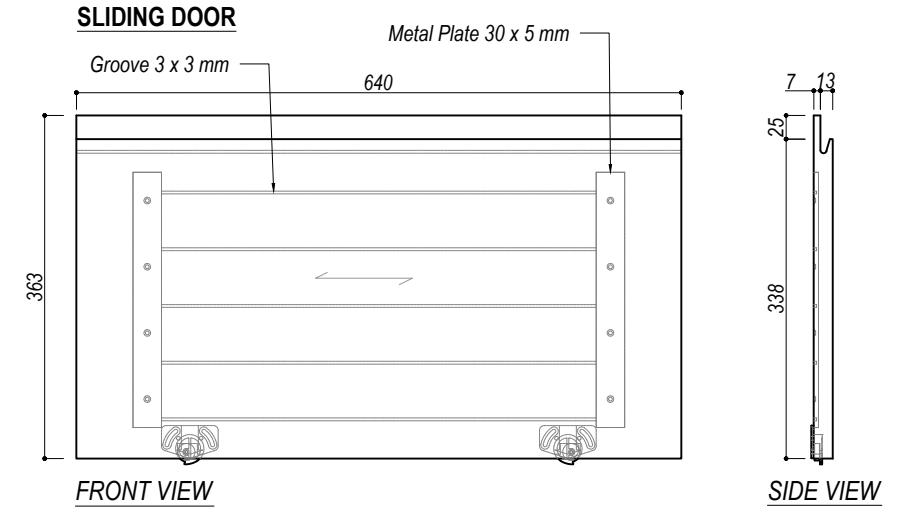
**FRONT VIEW**



**SIDE VIEW**



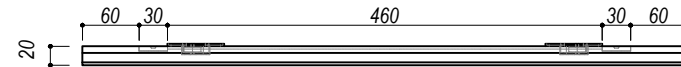
**TOP VIEW**



**SLIDING DOOR**

**FRONT VIEW**

**SIDE VIEW**



**TOP VIEW**

**HARDWARE LIST :**

**A. Undermount Drawer Runner 250 mm ( 2 set )**


**Opt. 1 : Hafele :**

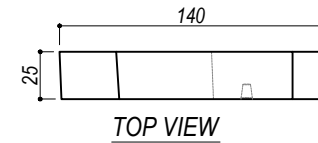
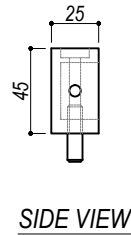
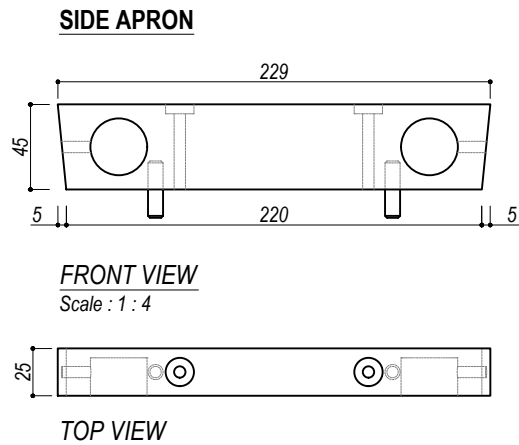
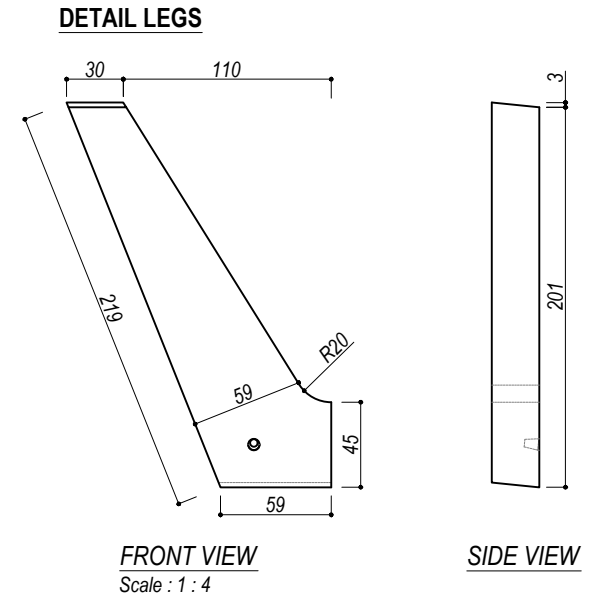
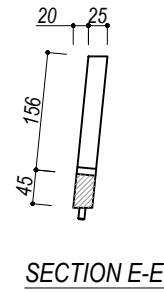
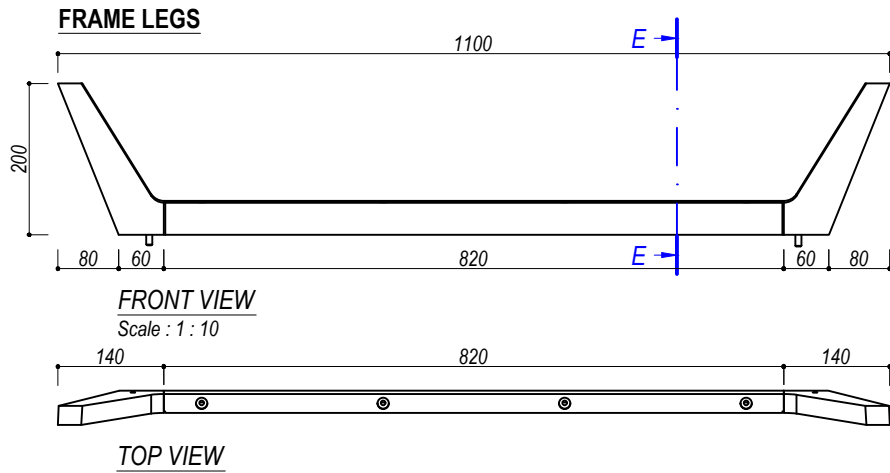
**B. Sliding Wheel Runner Component Bottom ( 2 pcs )**


**Opt. 1 : Hafele :**

**C. Anti Tip ( 1 set )**

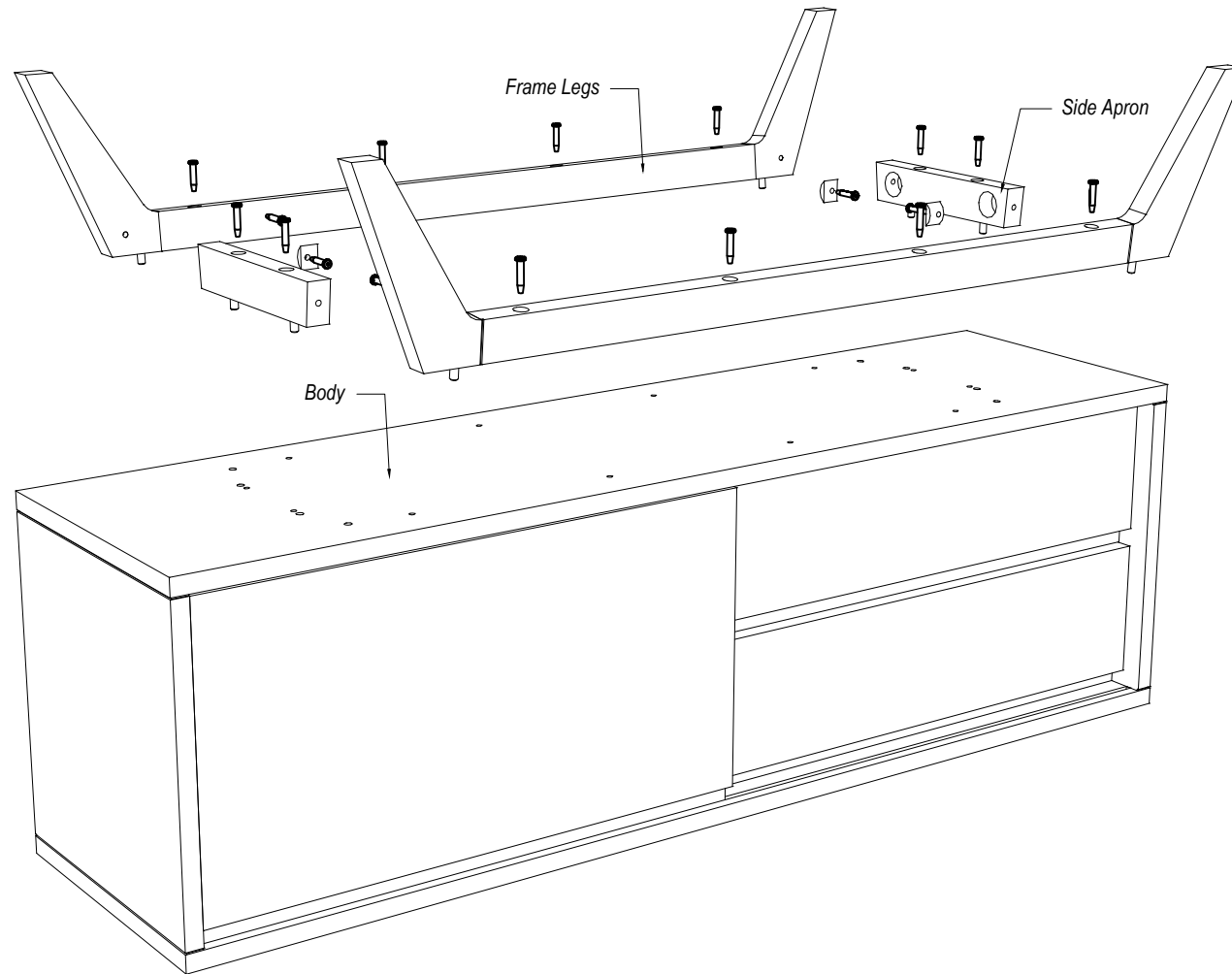
**D. Black Plastic Feet ( 4 pcs )**

Drawn by Yono	Approved by Sinda	Document Types Technical Drawing	PU Code SID0063	Document Status Released		
 4, Allée du Progrès - Area Park Bâtiment 4 - 59320 Englos			PU Description Esmee Acacia Sideboard 130	Finishing		Scale 1 : 8
				Rev 00	Date of issue 2022/03/22	Size A4



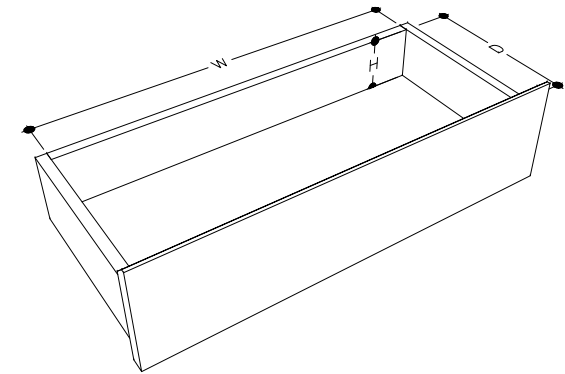
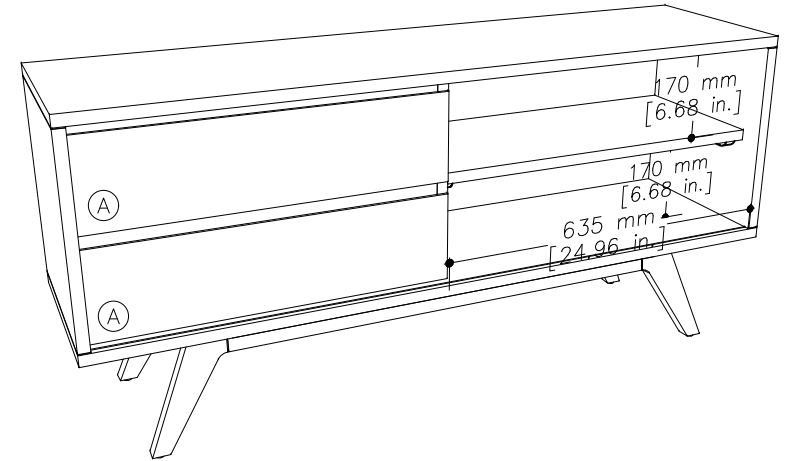
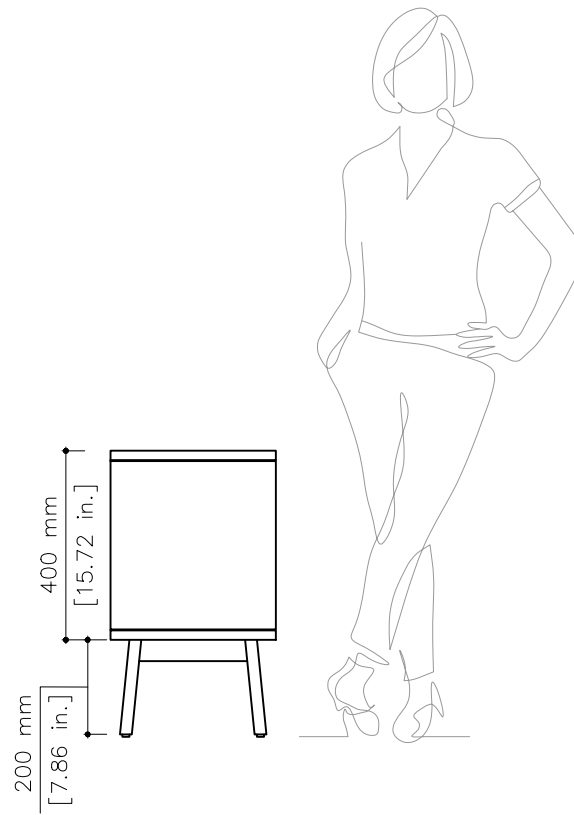
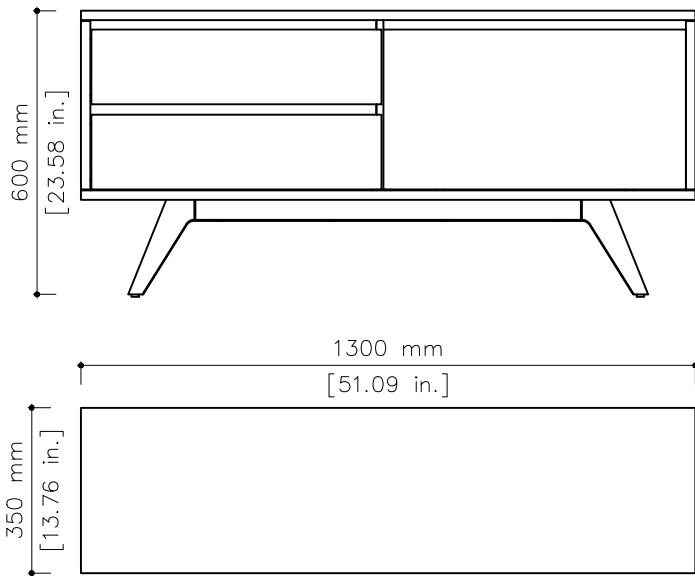
Drawn by <b>Yono</b>	Approved by <b>Sinda</b>	Document Types <b>Technical Drawing</b>	PU Code <b>SID0063</b>	Document Status <b>Released</b>		
 4, Allée du Progrès - Area Park Bâtiment 4 - 59320 Englos			PU Description <b>Esmee Acacia Sideboard 130</b>	Finishing		Scale <b>nts</b>
				Rev <b>00</b>	Date of issue <b>2022/03/22</b>	Size <b>A4</b>





Drawn by <b>Yono</b>	Approved by <b>Sinda</b>	Document Types <b>Technical Drawing</b>	PU Code <b>SID0063</b>	Document Status <b>Released</b>		
<b>tikamoon</b> 4, Allée du Progrès - Area Park Bâtiment 4 - 59320 Englos			PU Description <b>Esmee Acacia Sideboard 130</b>	Finishing		Scale <b>nts</b>
				Rev <b>00</b>	Date of issue <b>2022/03/22</b>	Size <b>A4</b>

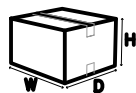
# tikamoon



W x D x H  
 Ⓐ 565 x 235 x 80 mm

W x D x H  
 Ⓐ 22.24 x 9.25 x 3.14 in.

SID0015\_2



W x D x H (mm)  
 1370 x 420 x 500

W x D x H (in.)  
 53.93 x 16.53 x 19.68