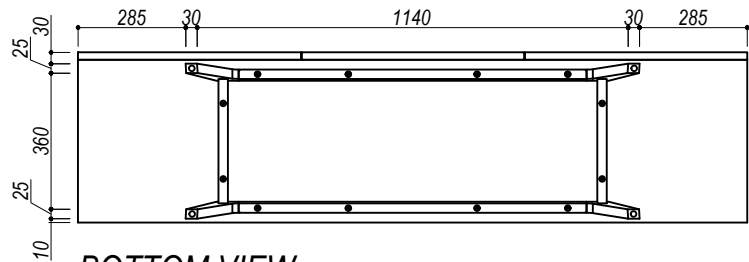
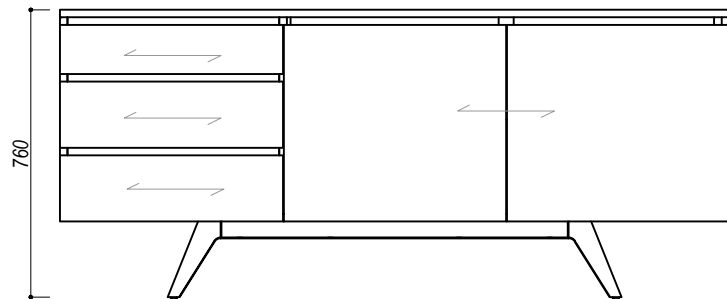


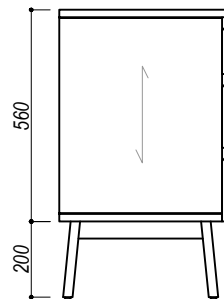
Drawn by Yono	Approved by Sinda	Document Types Technical Drawing	PU Code SID0062	Document Status Released			
tikamoon 4, Allée du Progrès - Area Park Bâtiment 4 - 59320 Englos			PU Description Esmee Acacia Sideboard 180	Finishing		Scale nts	
				Rev 00	Date of issue 2022/03/22	Size A4	Sheet 1 / 9



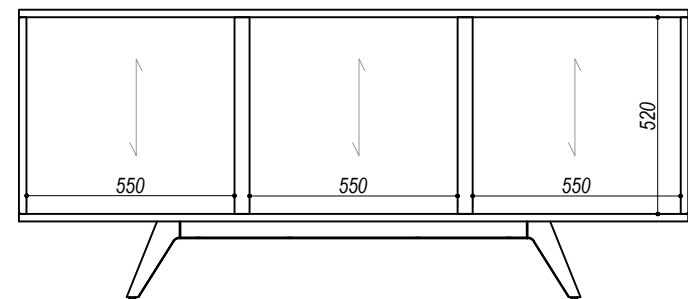
BOTTOM VIEW



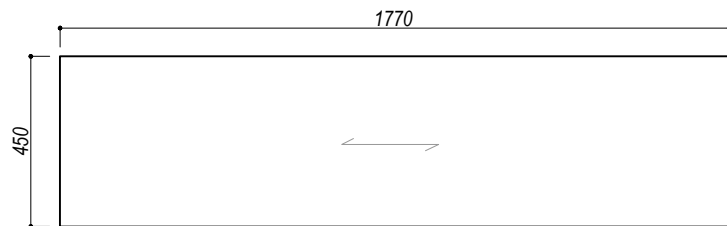
FRONT VIEW




SIDE VIEW

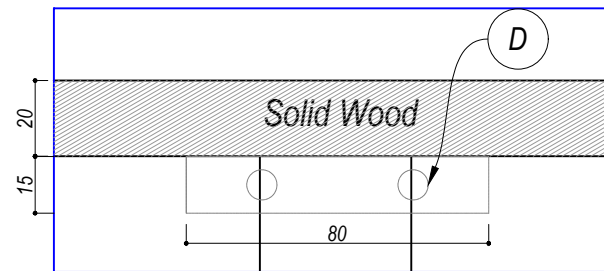
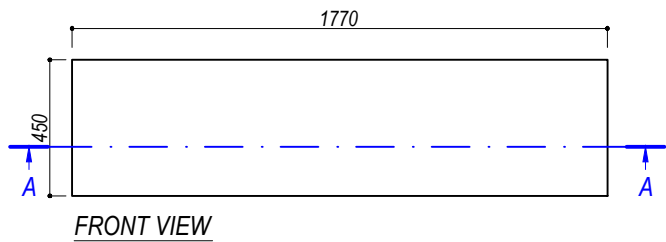


BACK VIEW

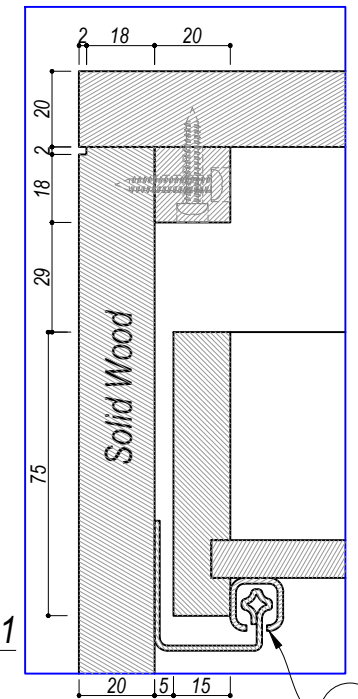


TOP VIEW

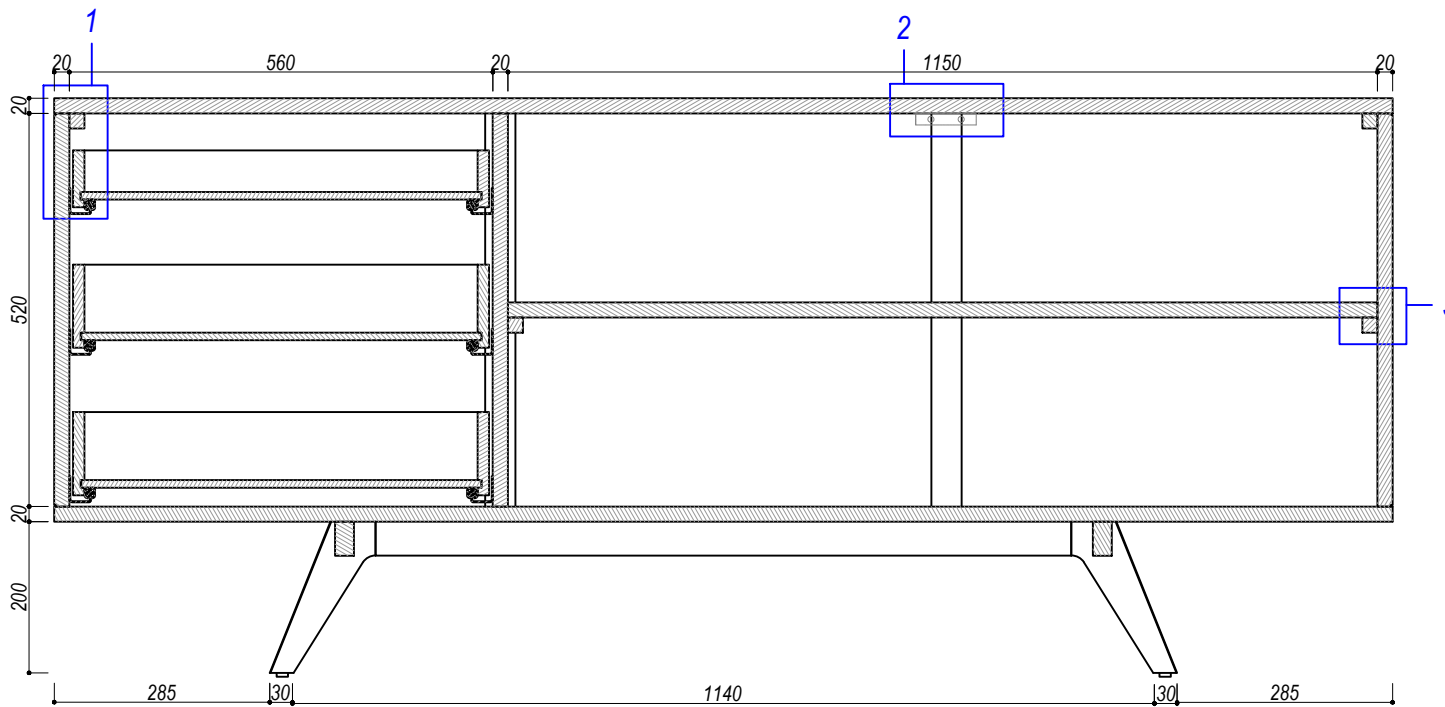
Drawn by Yono	Approved by Sinda	Document Types Technical Drawing	PU Code SID0062	Document Status Released			
 4, Allée du Progrès - Area Park Bâtiment 4 - 59320 Englos			PU Description Esmee Acacia Sideboard 180	Finishing		Scale 1 : 20	
				Rev 00	Date of issue 2022/03/22	Size A4	Sheet 2 / 9



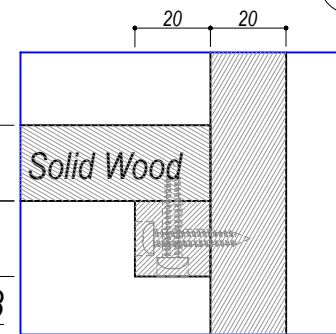
DETAIL 2
Scale : 1 : 2




DETAIL 1
Scale : 1 : 2

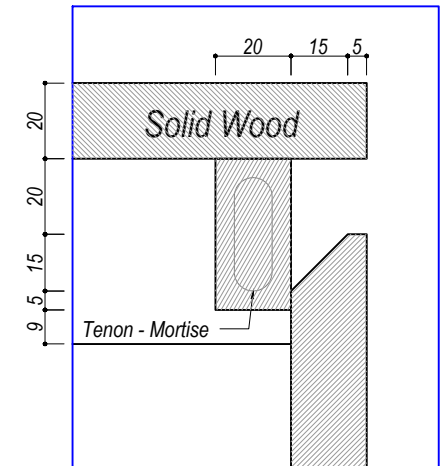
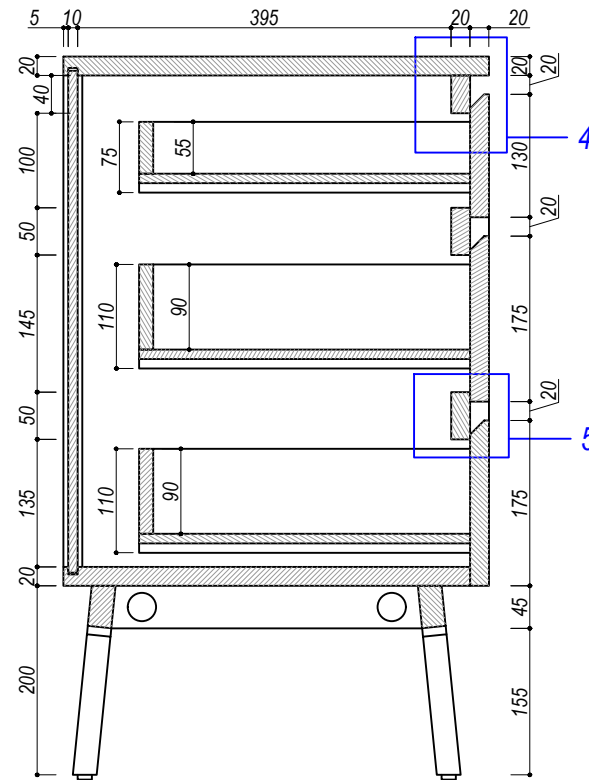
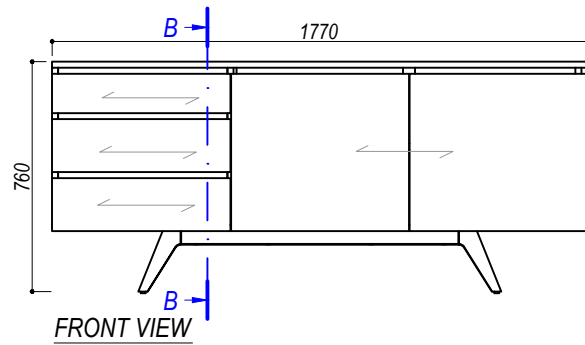


SECTION A-A



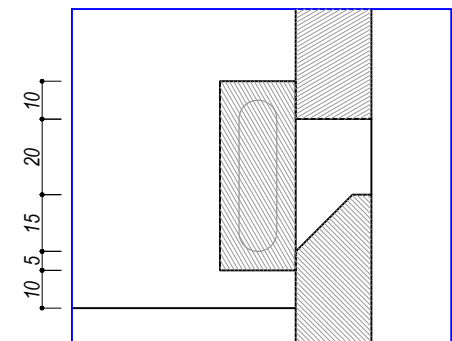
DETAIL 3
Scale : 1 : 2

Drawn by Yono	Approved by Sinda	Document Types Technical Drawing	PU Code SID0062	Document Status Released
 4, Allée du Progrès - Area Park Bâtiment 4 - 59320 Englos			PU Description Esmee Acacia Sideboard 180	Finishing
				Scale 1 : 10
Rev 00	Date of issue 2022/03/22	Size A4	Sheet 3 / 9	




DETAIL 4

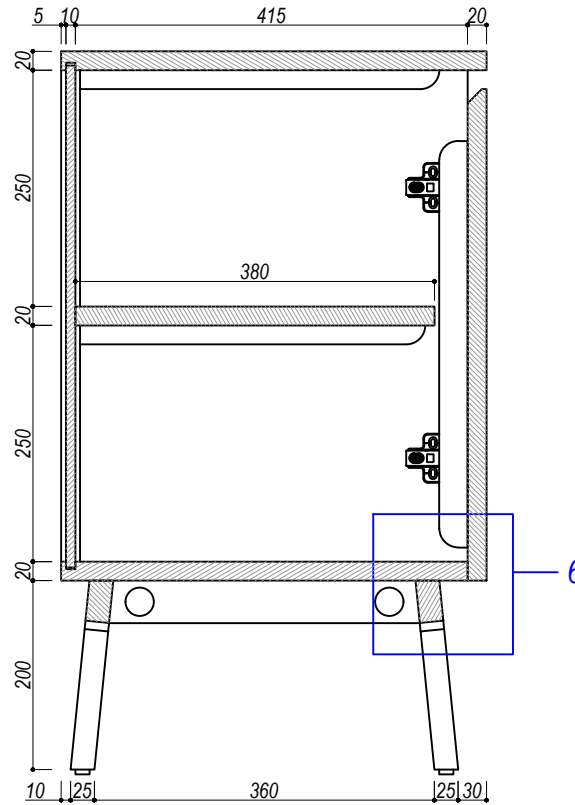
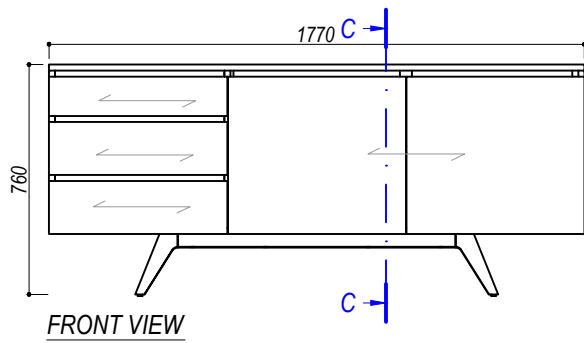
Scale : 1 : 2



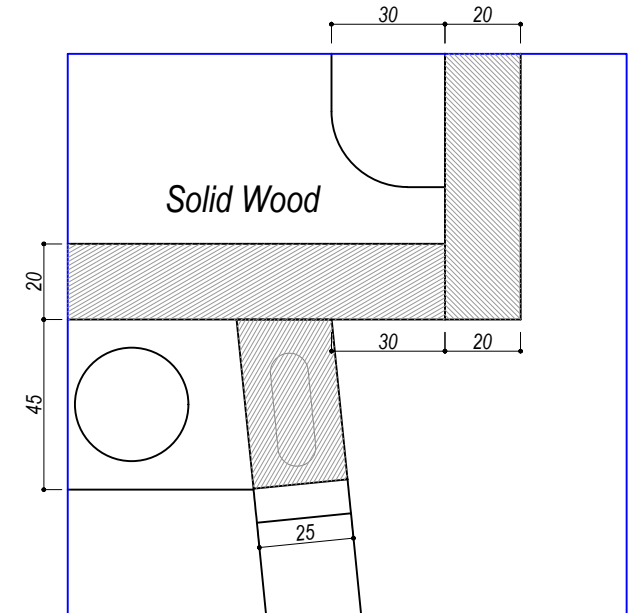
DETAIL 5

Scale : 1 : 2

Drawn by Yono	Approved by Sinda	Document Types Technical Drawing	PU Code SID0062	Document Status Released	
 4, Allée du Progrès - Area Park Bâtiment 4 - 59320 Englos			PU Description Esmee Acacia Sideboard 180		Finishing
					Scale 1 : 8
Rev 00		Date of issue 2022/03/22		Size A4	Sheet 4 / 9



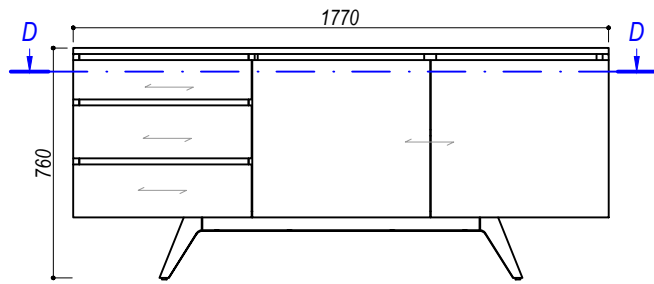
SECTION C-C



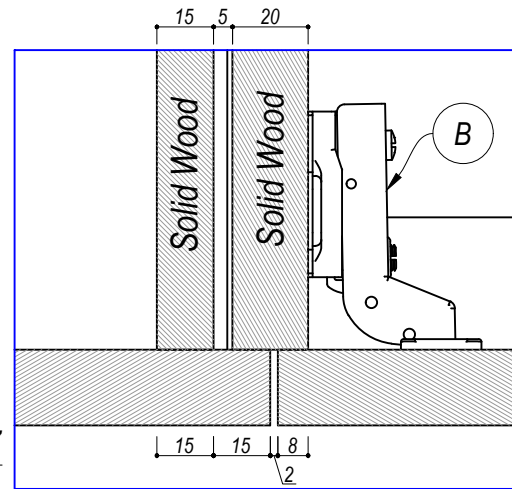
DETAIL 6

Scale : 1 : 2

Drawn by Yono	Approved by Sinda	Document Types Technical Drawing	PU Code SID0062	Document Status Released	
tikamoon 4, Allée du Progrès - Area Park Bâtiment 4 - 59320 Englos			PU Description Esmee Acacia Sideboard 180	Finishing	Scale 1 : 8
			Rev 00	Date of issue 2022/03/22	Size A4

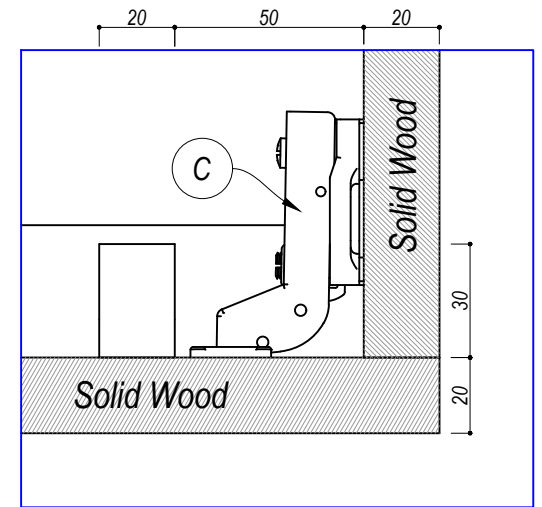


FRONT VIEW



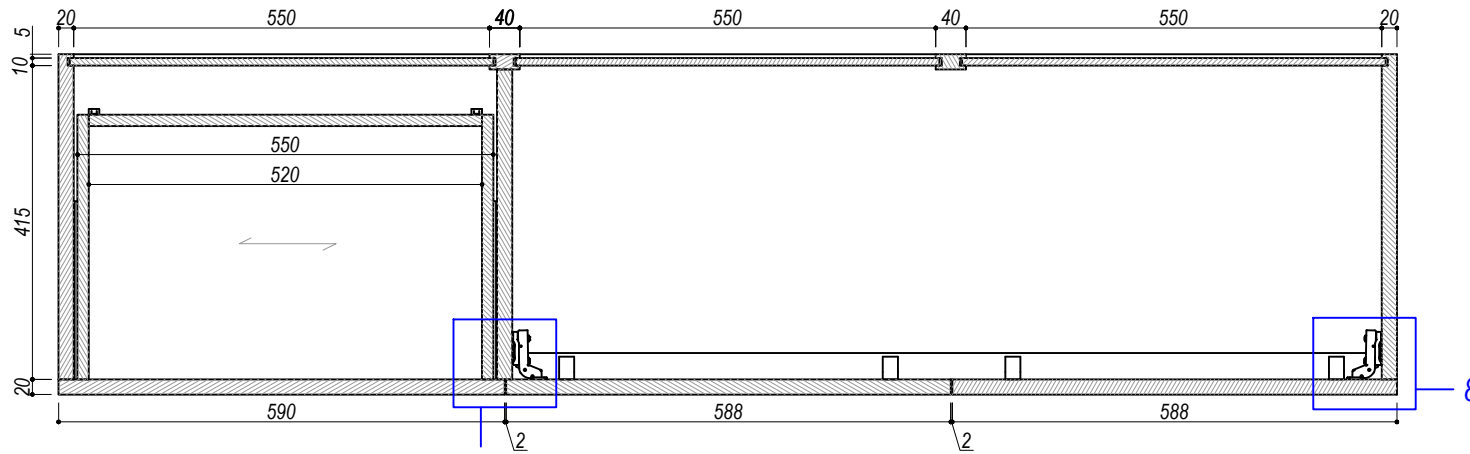
DETAIL 7

Scale : 1 : 2



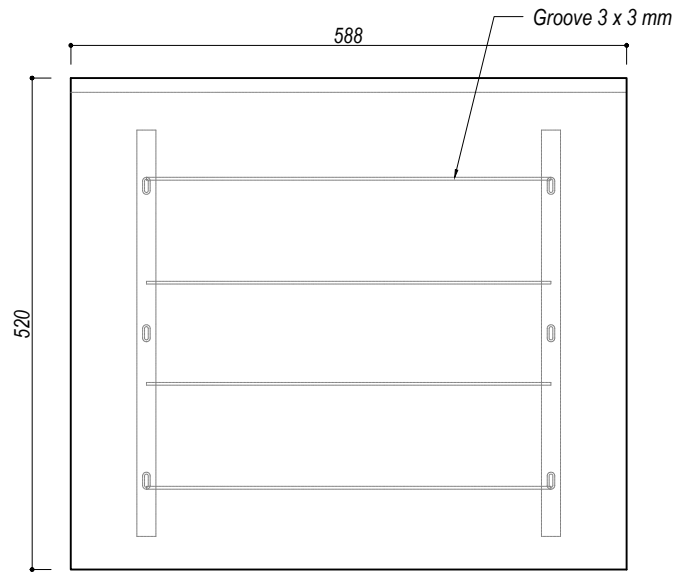
DETAIL 8

Scale : 1 : 2

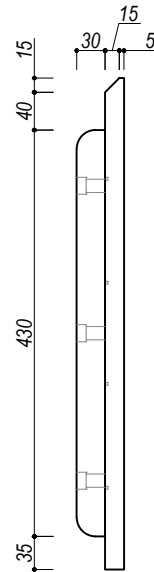


SECTION D-D

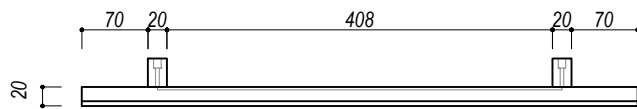
Drawn by Yono	Approved by Sinda	Document Types Technical Drawing	PU Code SID0062	Document Status Released		
tikamoon 4, Allée du Progrès - Area Park Bâtiment 4 - 59320 Englos			PU Description Esmee Acacia Sideboard 180	Finishing		Scale 1 : 10
				Rev 00	Date of issue 2022/03/22	Size A4



FRONT VIEW




SIDE VIEW



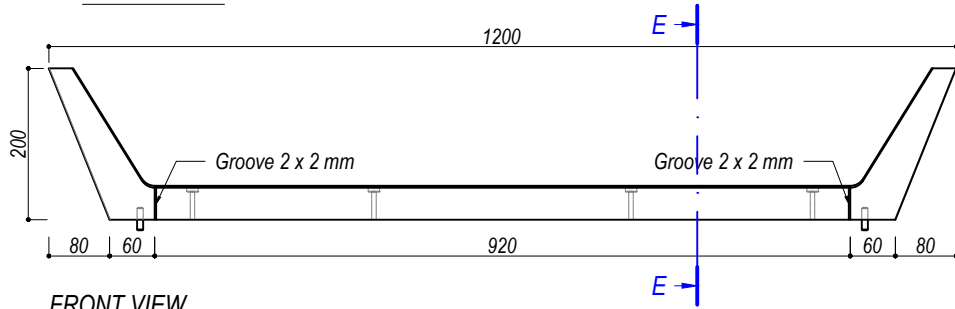
TOP VIEW

HARDWARE LIST :

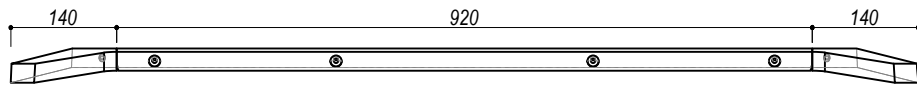
- A. Undermount Drawer Runner 350 mm (3 set)**
Opt. 1 : Hafele :
- B. Hinge Half Overlay Soft Close (2 pcs)**
Opt 1 : Hafele :
- C. Hinge Full Overlay Soft Close (2 pcs)**
Opt 1 : Hafele :
- D. Plate & Round Magnet Ø 8 mm (2 set)**
- E. Anti Tip (1 set)**
- F. Black Plastic Feet (4 pcs)**

Drawn by Yono	Approved by Sinda	Document Types Technical Drawing	PU Code SID0062	Document Status Released		
 4, Allée du Progrès - Area Park Bâtiment 4 - 59320 Englos			PU Description Esmee Acacia Sideboard 180	Finishing		Scale 1 : 8
				Rev 00	Date of issue 2022/03/22	Size A4

FRAME LEGS



FRONT VIEW
Scale : 1 : 10

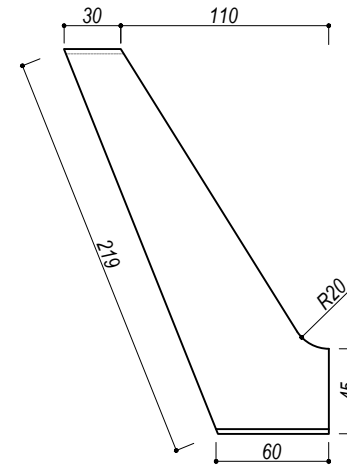


TOP VIEW



SECTION E-E

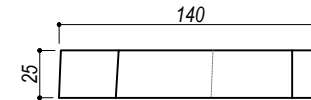
DETAIL LEGS



FRONT VIEW
Scale : 1 : 4

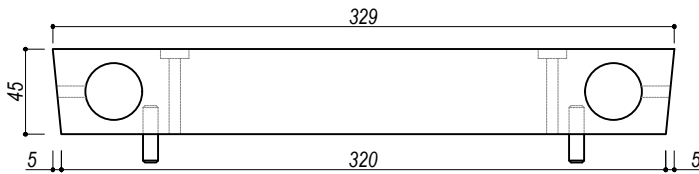


SIDE VIEW

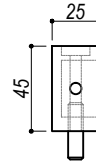


TOP VIEW

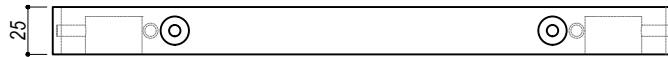
SIDE APRON




FRONT VIEW
Scale : 1 : 4

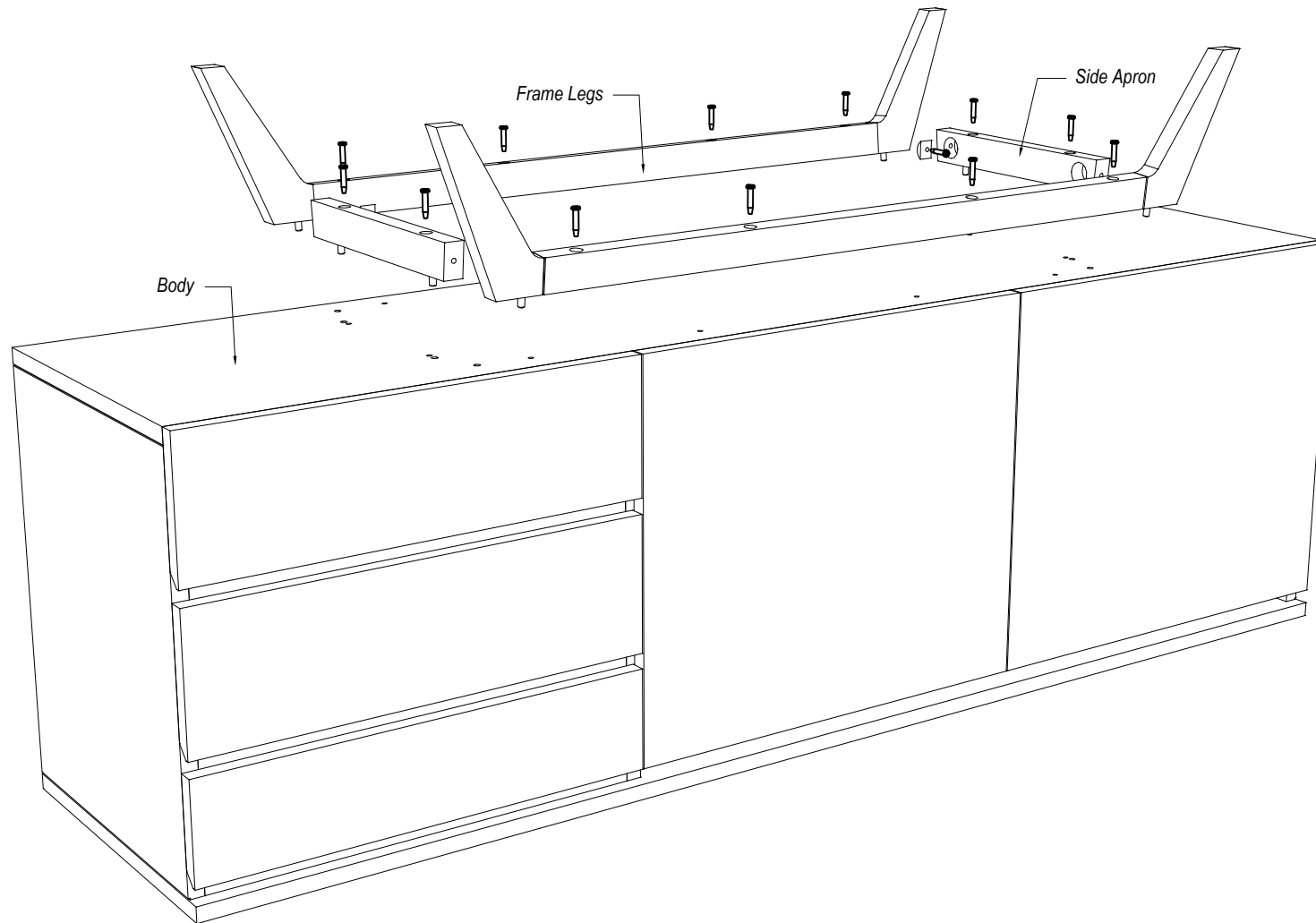


SIDE VIEW



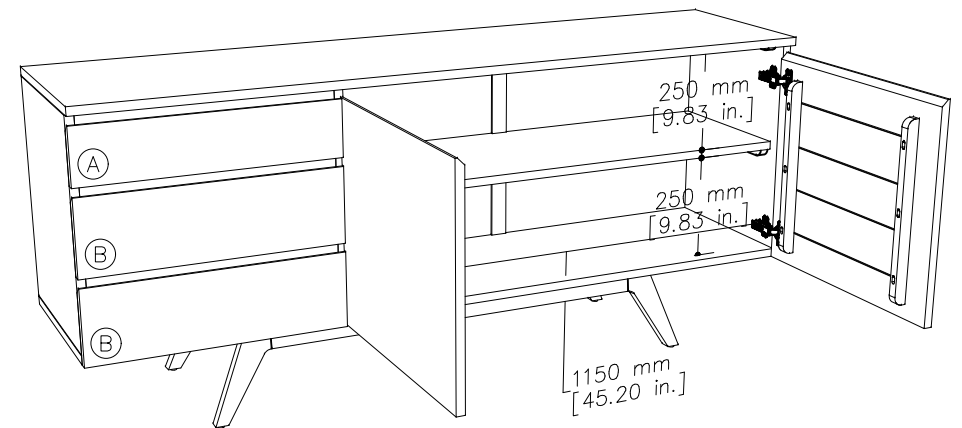
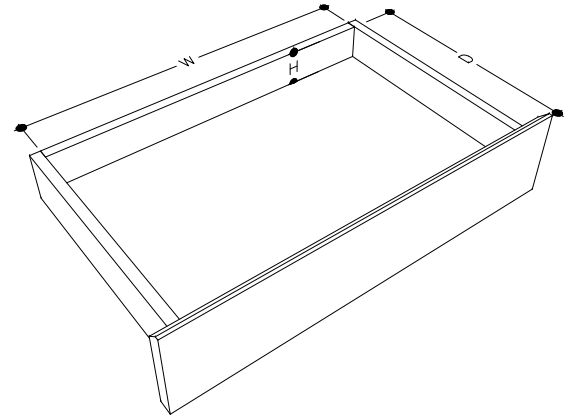
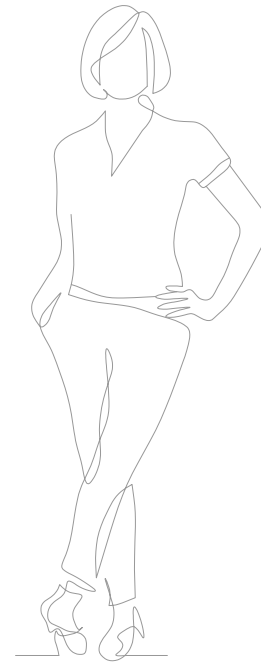
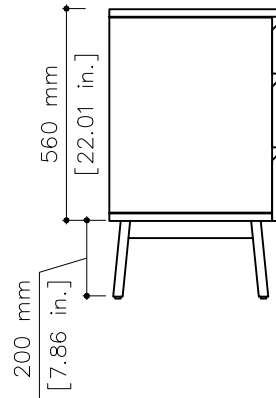
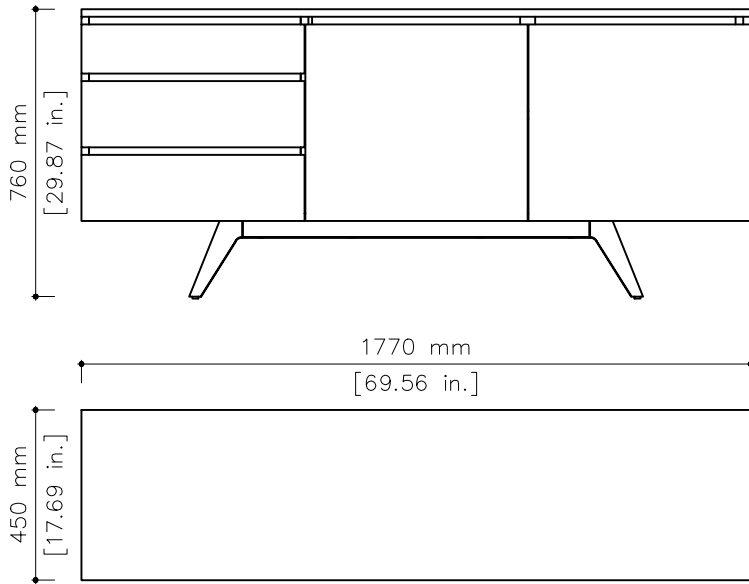
TOP VIEW

Drawn by Yono	Approved by Sinda	Document Types Technical Drawing	PU Code SID0062	Document Status Released		
 4, Allée du Progrès - Area Park Bâtiment 4 - 59320 Englos			PU Description Esmee Acacia Sideboard 180	Finishing		Scale nts
				Rev 00	Date of issue 2022/03/22	Size A4



Drawn by Yono	Approved by Sinda	Document Types Technical Drawing	PU Code SID0062	Document Status Released		
tikamoon 4, Allée du Progrès - Area Park Bâtiment 4 - 59320 Englos			PU Description Esmee Acacia Sideboard 180	Finishing		Scale nts
				Rev 00	Date of issue 2022/03/22	Size A4

tikamoon



W x D x H

Ⓐ 520 x 335 x 55 mm

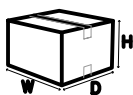
Ⓑ 520 x 335 x 90 mm

W x D x H

Ⓐ 20.47 x 13.18 x 2.16 in.

Ⓑ 20.47 x 13.18 x 3.54 in.

SID0014_2



W x D x H (mm)
1820 x 520 x 650

W x D x H (in.)
71.65 x 20.47 x 25.59