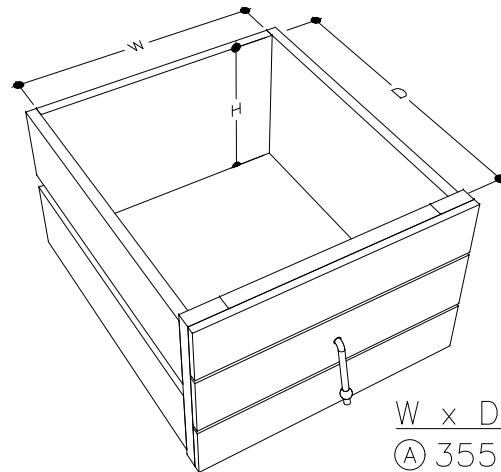
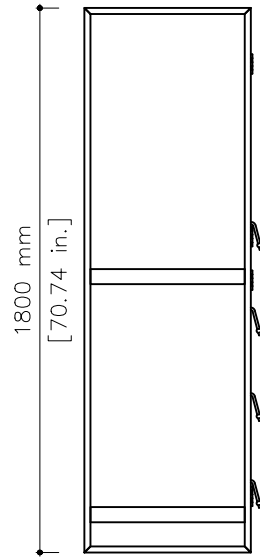
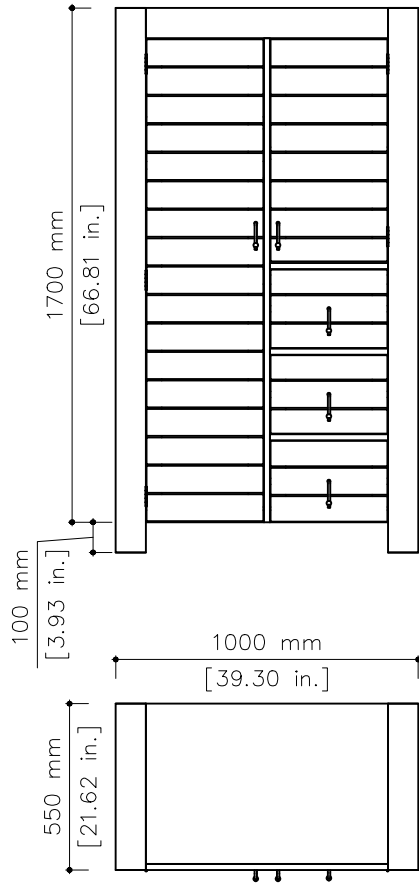
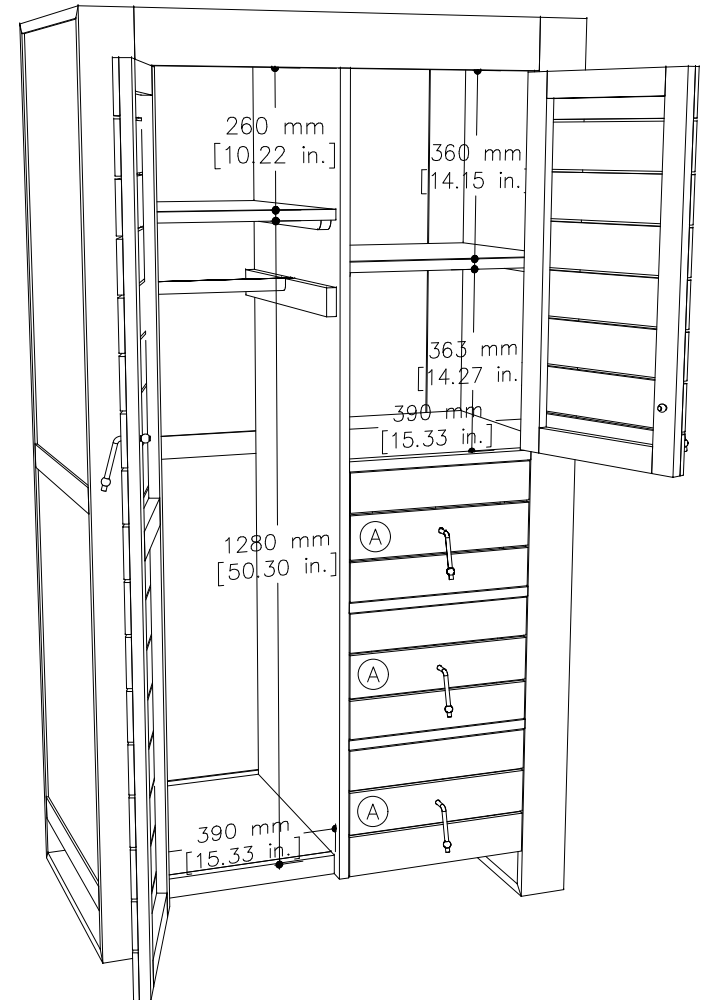


# tikamoon

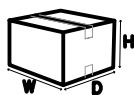


$\frac{W \times D \times H}{\text{A}} 355 \times 405 \times 220 \text{ mm}$



$\frac{W \times D \times H}{\text{A}} 13.97 \times 15.94 \times 8.66 \text{ in.}$

MT11



$\frac{W \times D \times H \text{ (mm)}}{1040 \times 620 \times 1850}$

$\frac{W \times D \times H \text{ (in.)}}{40.94 \times 24.40 \times 72.83}$