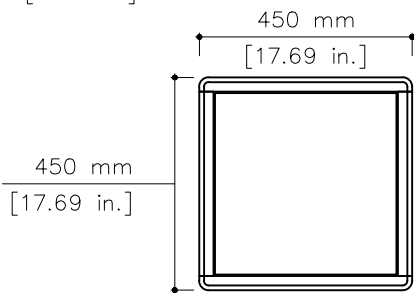
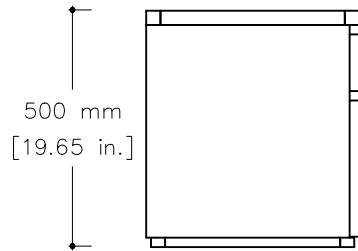
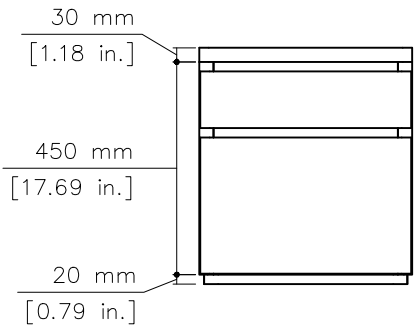
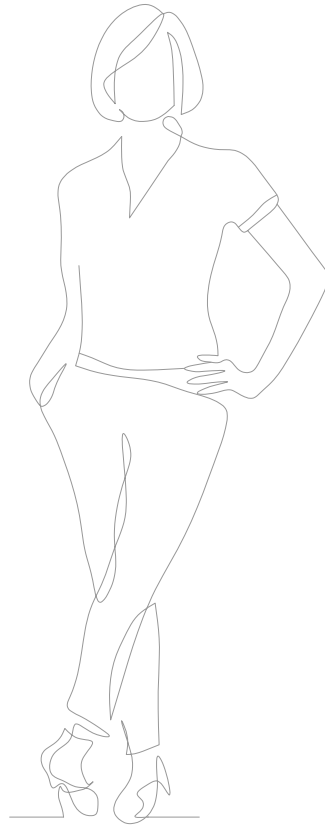
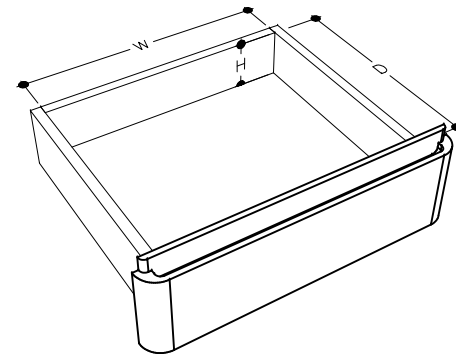
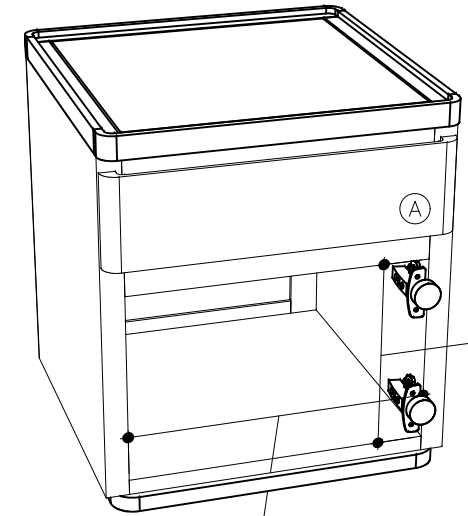


# tikamoon

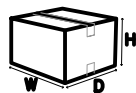


W x D x H  
 Ⓐ 370 x 315 x 70 mm

W x D x H  
 Ⓐ 14.56 x 12.40 x 2.75 in.



MNG1\_3



W x D x H (mm)  
 530 x 530 x 590

W x D x H (in.)  
 20.86 x 20.86 x 23.22