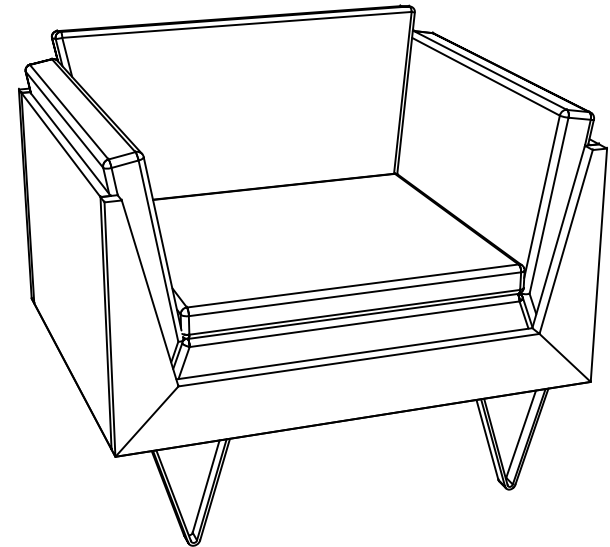
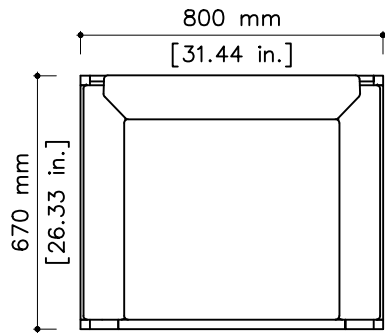
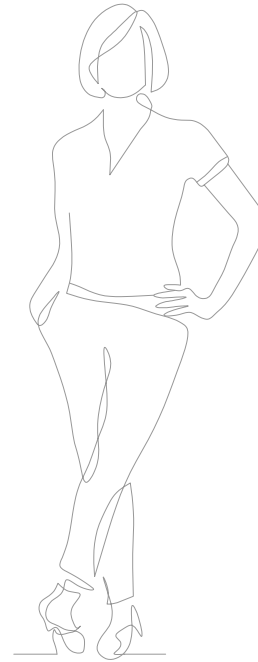
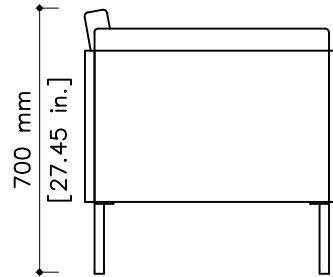
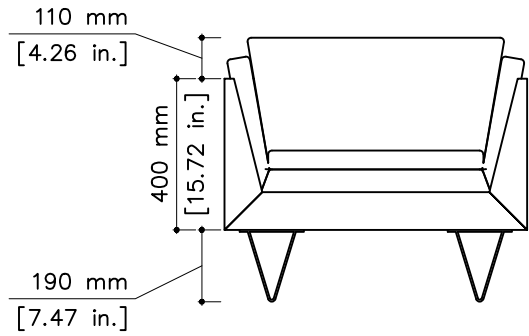


tikamoon



MET80_2



W x D x H (mm)
900 x 770 x 470

W x D x H (in.)
35.43 x 30.31 x 18.50