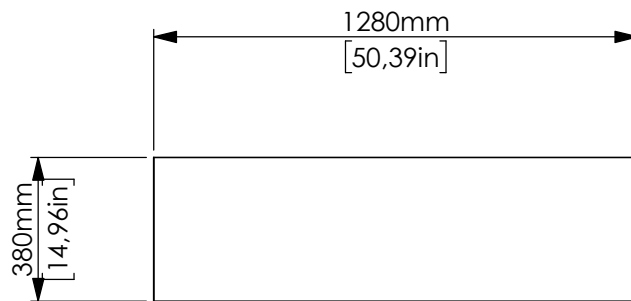
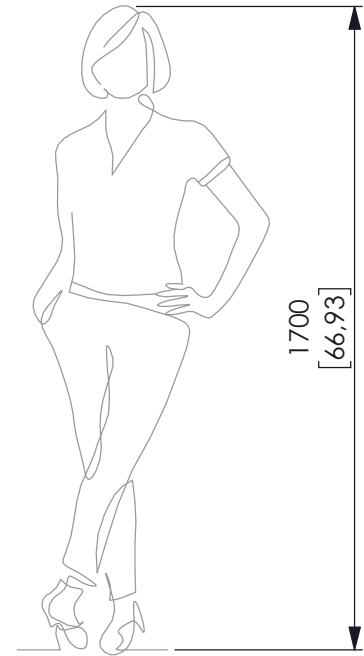
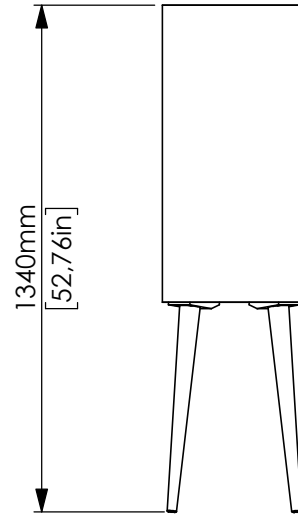
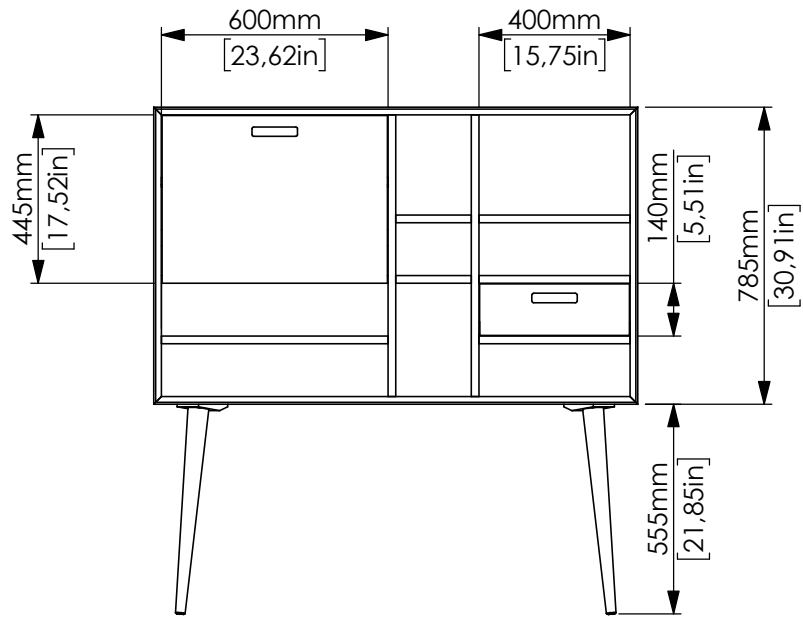


# tikamoon

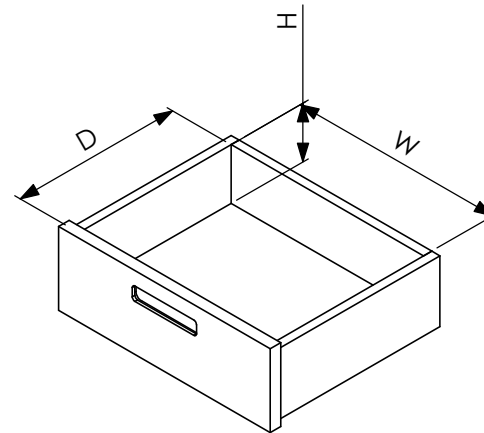


W x D x H (mm)

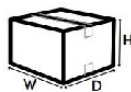
360 x 285 x 95

W x D x H (in.)

14.17 x 11.22 x 3.7



**MAG2\_5**



W x D x H (mm)

1380 x 470 x 890

W x D x H (in.)

54.33 x 18.5 x 35

