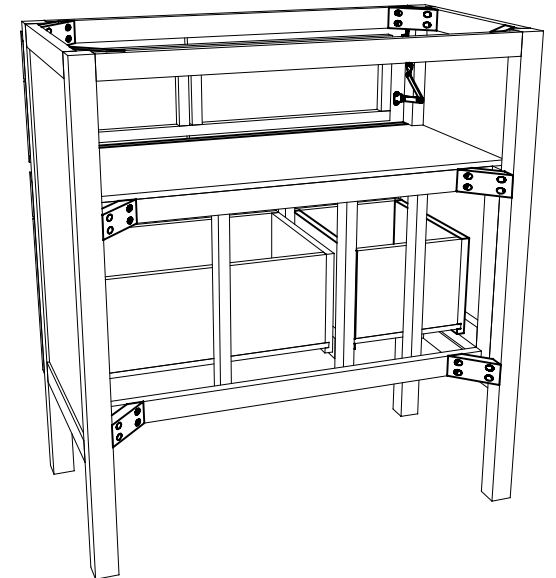
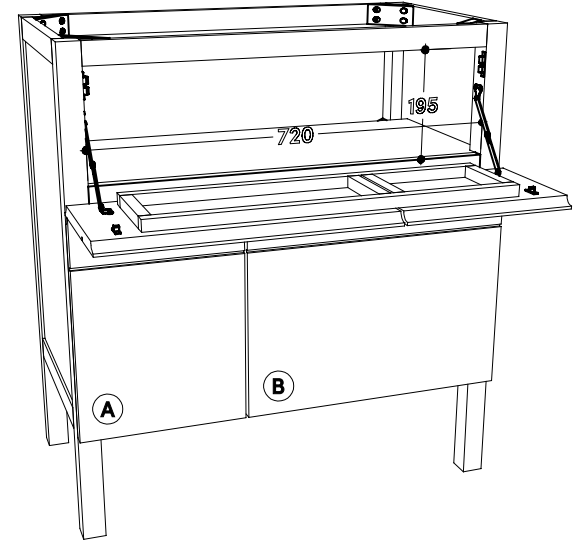
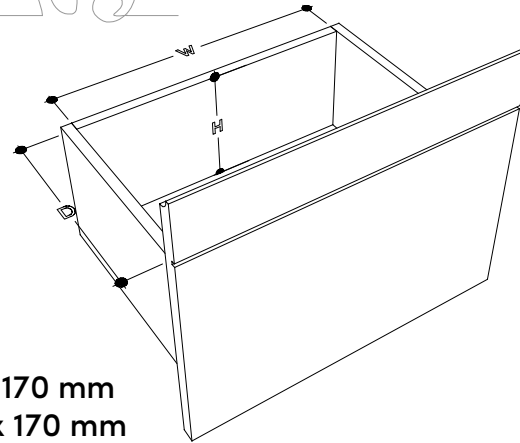
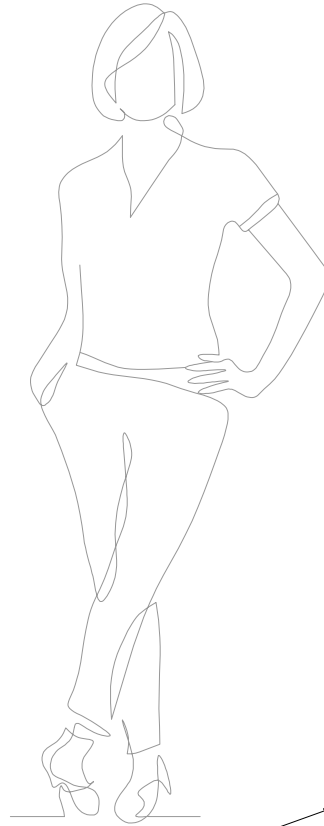
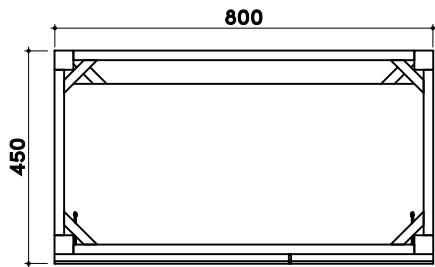
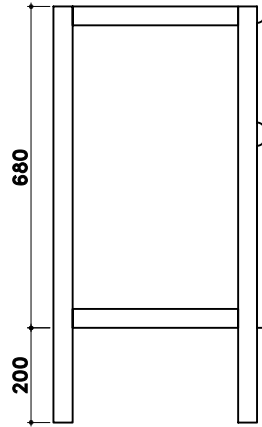
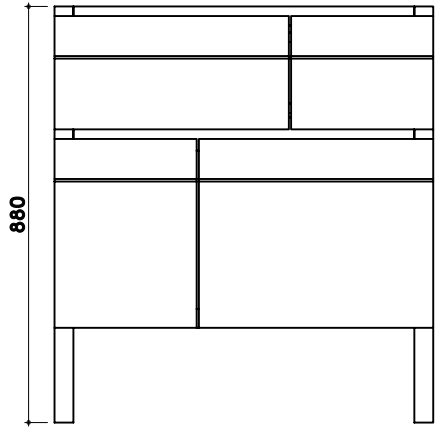


# tikamoon

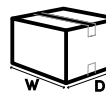


**W x D x H**

**(A) 212.5 x 270 x 170 mm**

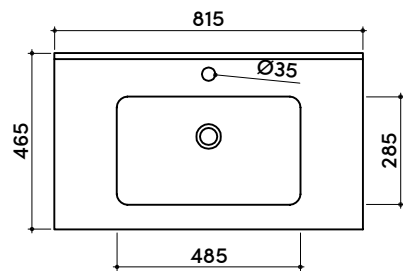
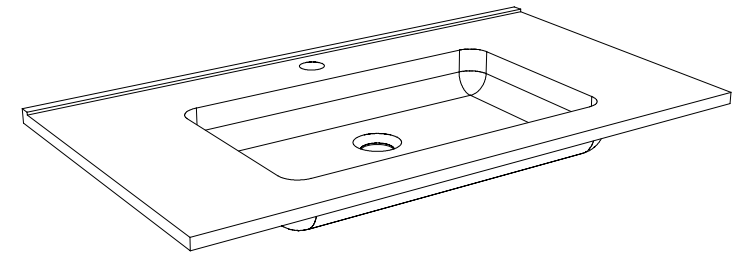
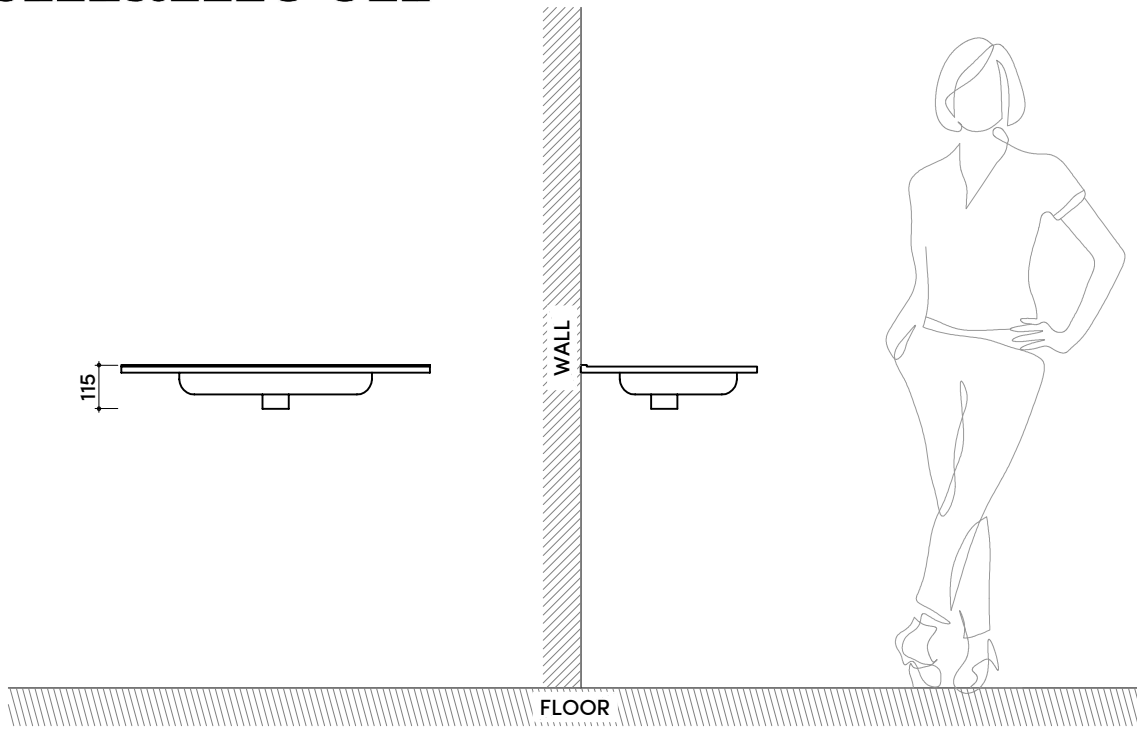
**(B) 407.5 x 270 x 170 mm**

EASYSOLO\_3

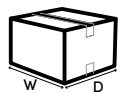


W x D x H (mm)  
880 x 530 x 970

# tikamoon



EASYS01



W x D x H (mm)  
1240 x 165 x 510