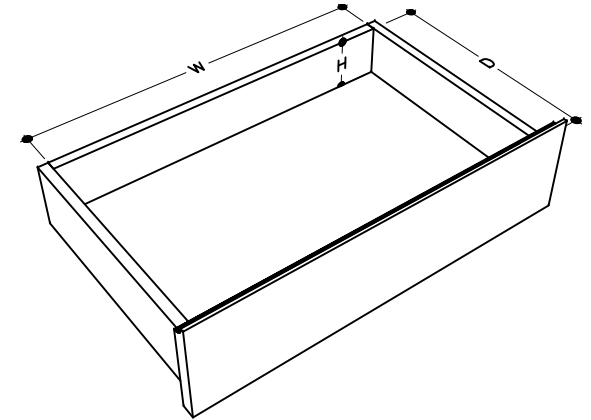
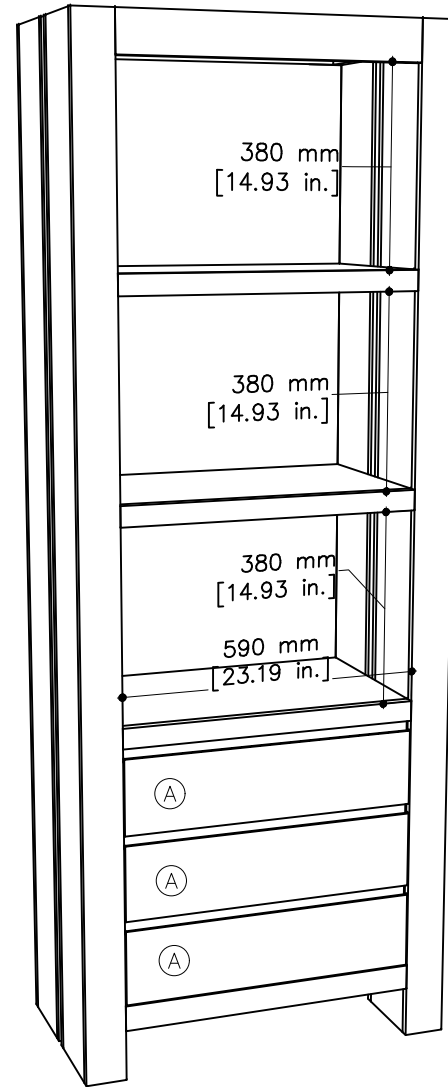
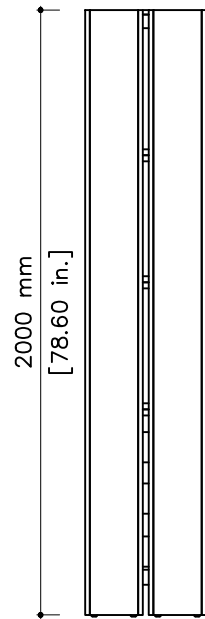
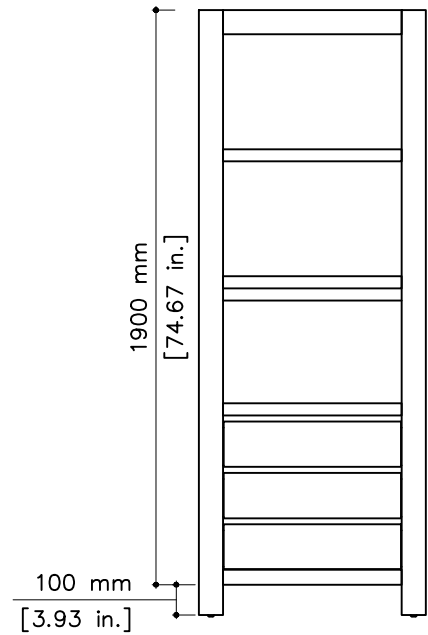
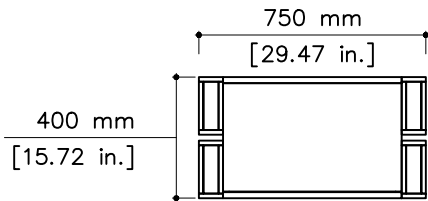


tikamoon

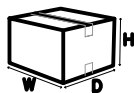


$\frac{W \times D \times H}{\text{Ⓐ } 680 \times 285 \times 175 \text{ mm}}$

$\frac{W \times D \times H}{\text{Ⓐ } 26.77 \times 11.22 \times 6.88 \text{ in.}}$



JA801



$\frac{W \times D \times H \text{ (mm)}}{805 \times 430 \times 2050}$

$\frac{W \times D \times H \text{ (in.)}}{31.69 \times 16.92 \times 80.70}$