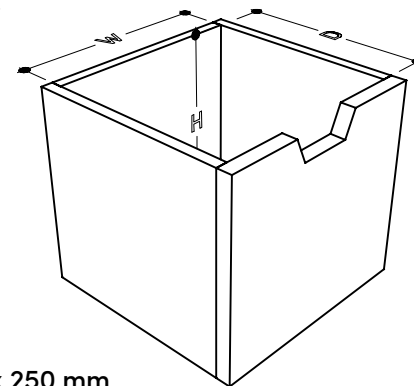
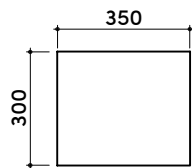
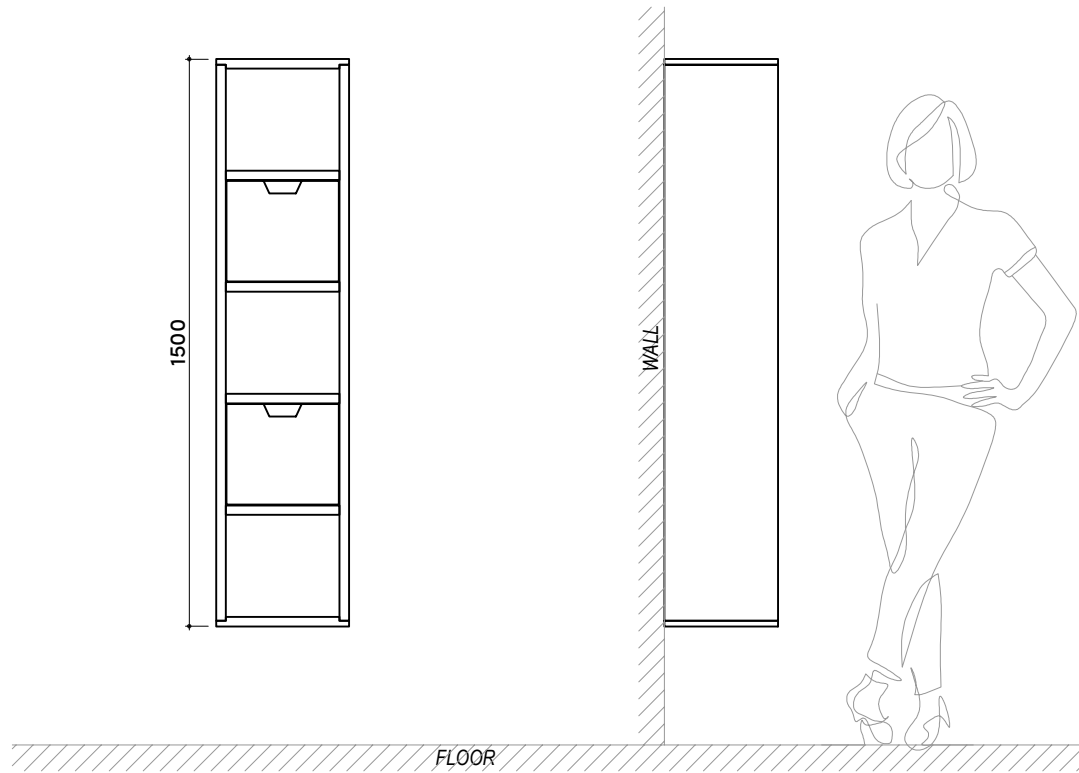
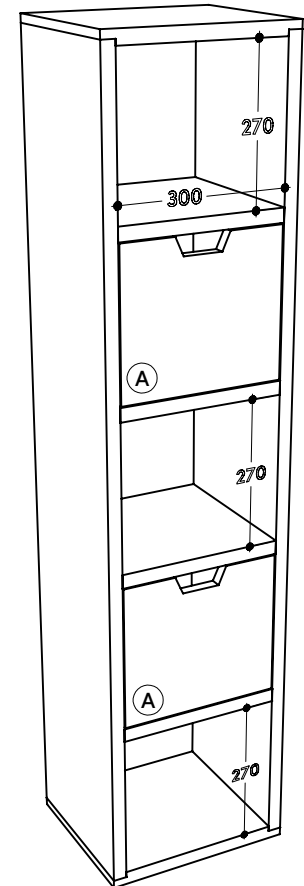


tikamoon

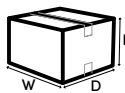


W x D x H

(A) 266 x 255 x 250 mm



CUBE9



$\frac{H}{W \times D \times H \text{ (mm)}}$
420 x 370 x 1570