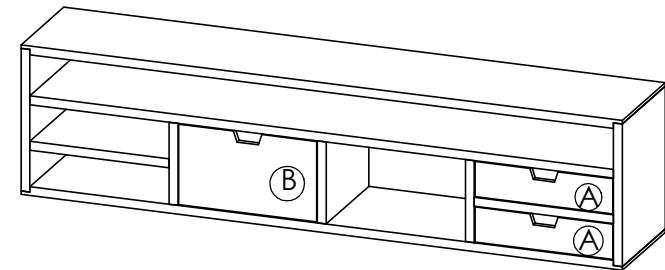
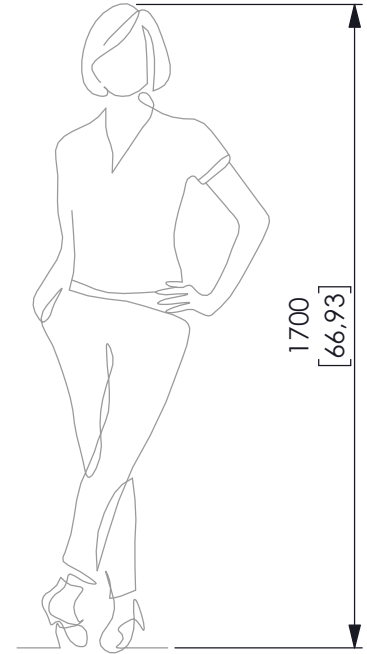
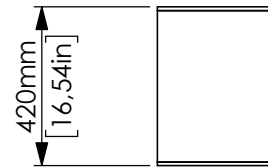
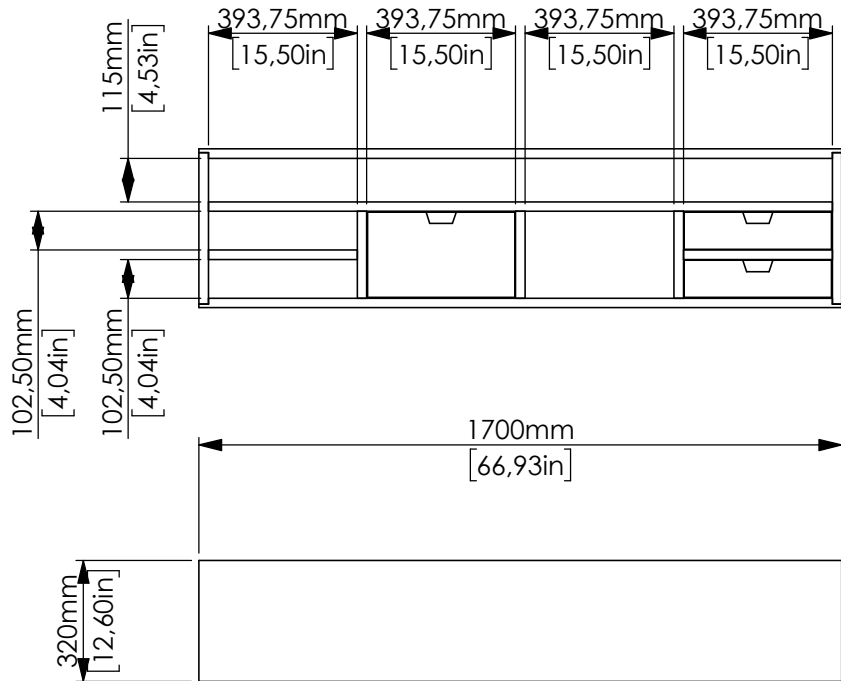


# tikamoon

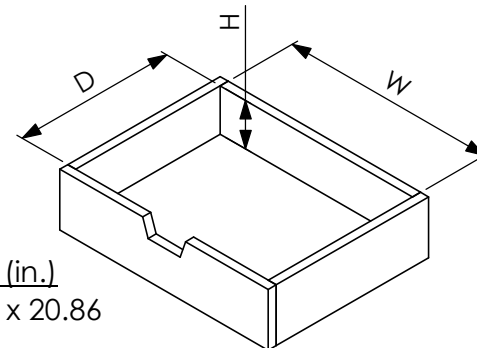


## W x D x H (mm)

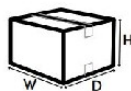
- A. 355 x 270 x 80
- B. 355 x 270 x 205

## W x D x H (in.)

- A. 13.97 x 10.62 x 3.14
- B. 13.97 x 10.62 x 8



**CUBE12\_2**



W x D x H (mm)  
1800 x 430 x 530

W x D x H (in.)  
70.86 x 16.92 x 20.86