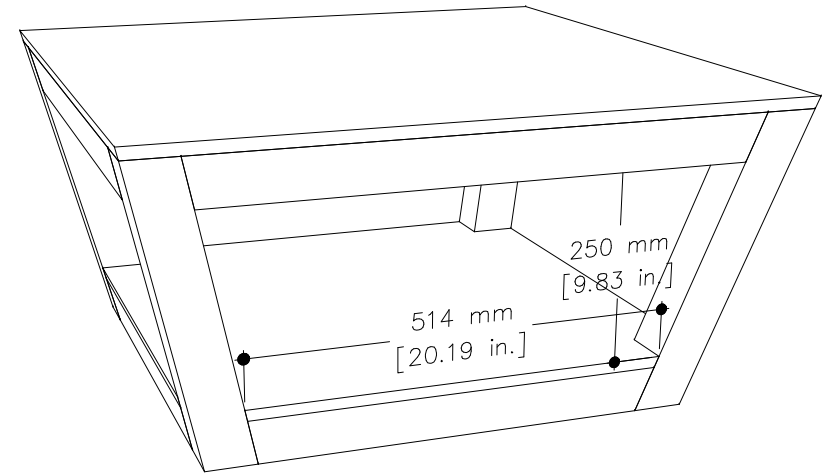
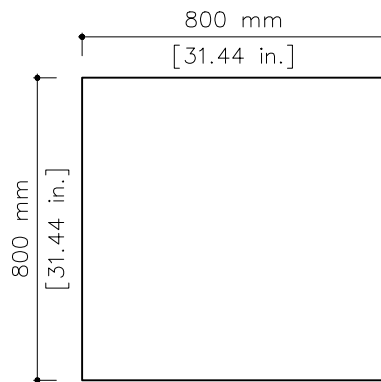
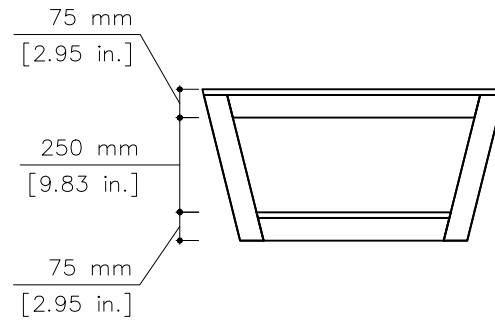
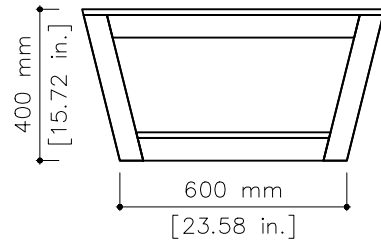
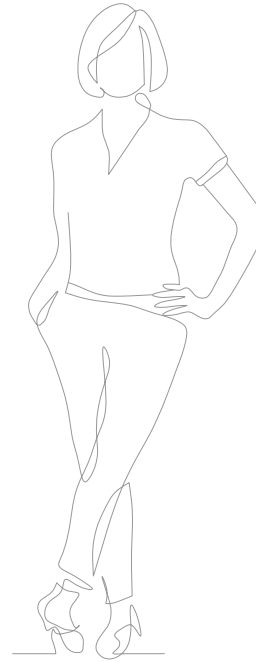
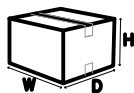


# tikamoon



CPAC27



**W x D x H (mm)**  
**890 x 890 x 500**

**W x D x H (in.)**  
**35.03 x 35.03 x 19.68**