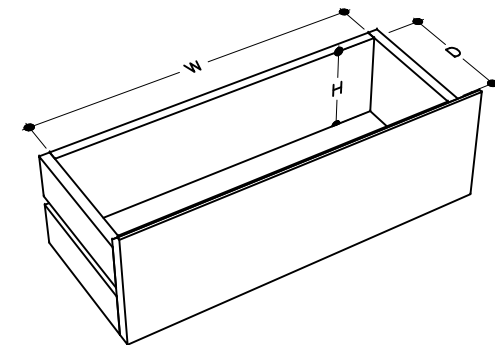
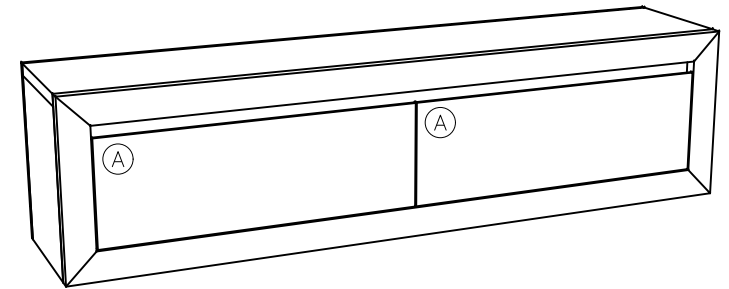
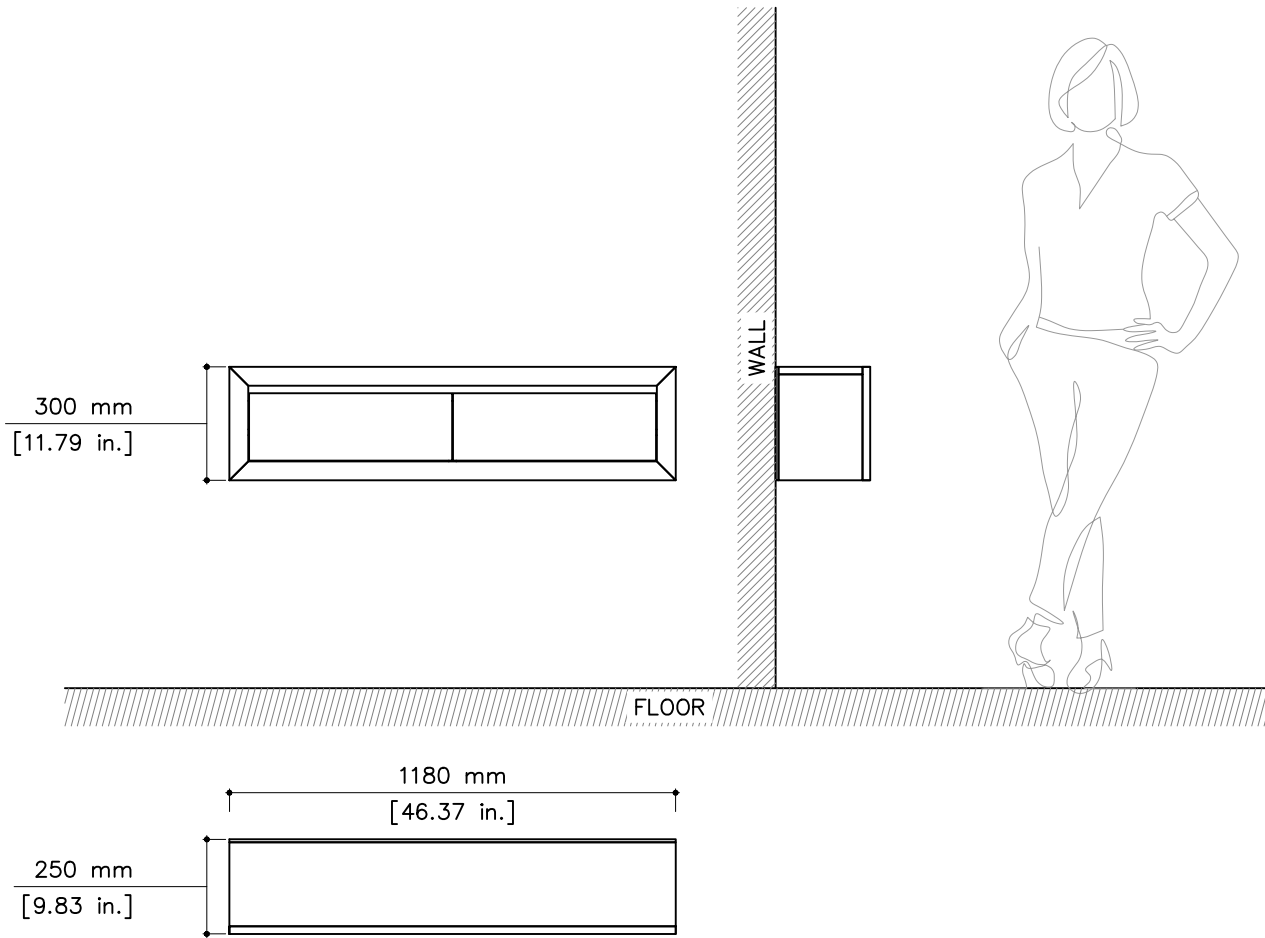


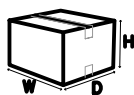
tikamoon



$\frac{W \times D \times H}{\textcircled{A}} 495 \times 170 \times 130 \text{ mm}$

$\frac{W \times D \times H}{\textcircled{A}} 19.48 \times 6.69 \times 5.11 \text{ in.}$

CPAC14



$\frac{W \times D \times H \text{ (mm)}}{1280 \times 350 \times 390}$

$\frac{W \times D \times H \text{ (in.)}}{50.39 \times 13.77 \times 15.35}$