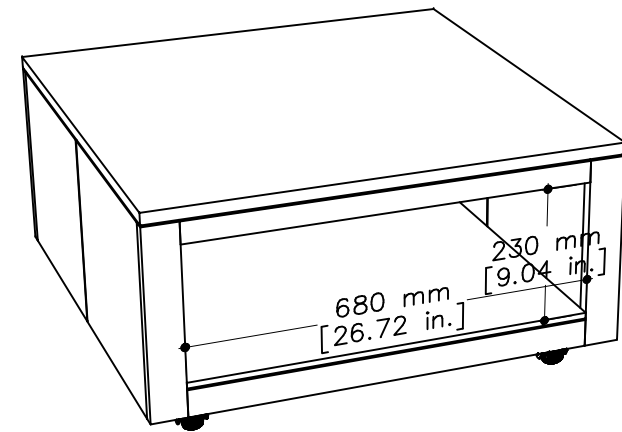
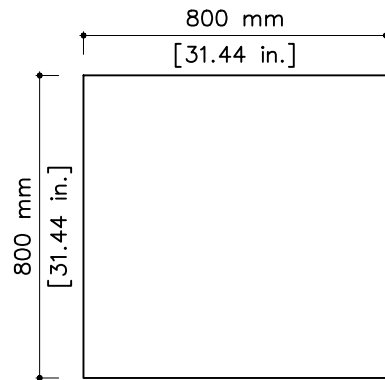
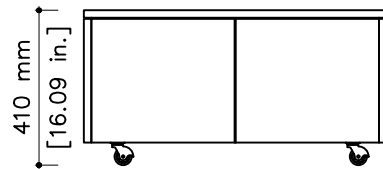
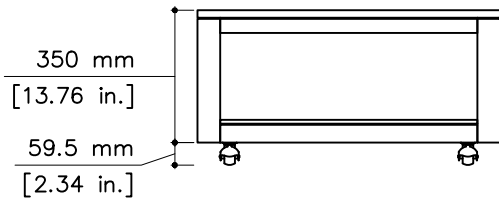
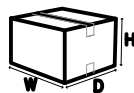


# tikamoon



COF0002\_3



**W x D x H (mm)**  
870 x 870 x 420

**W x D x H (in.)**  
34.25 x 34.25 x 16.53