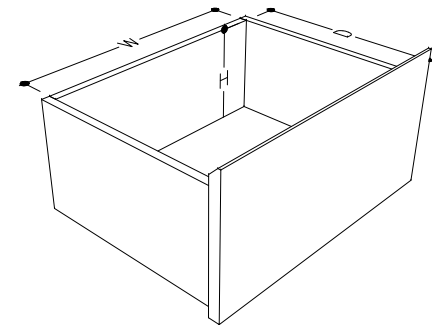
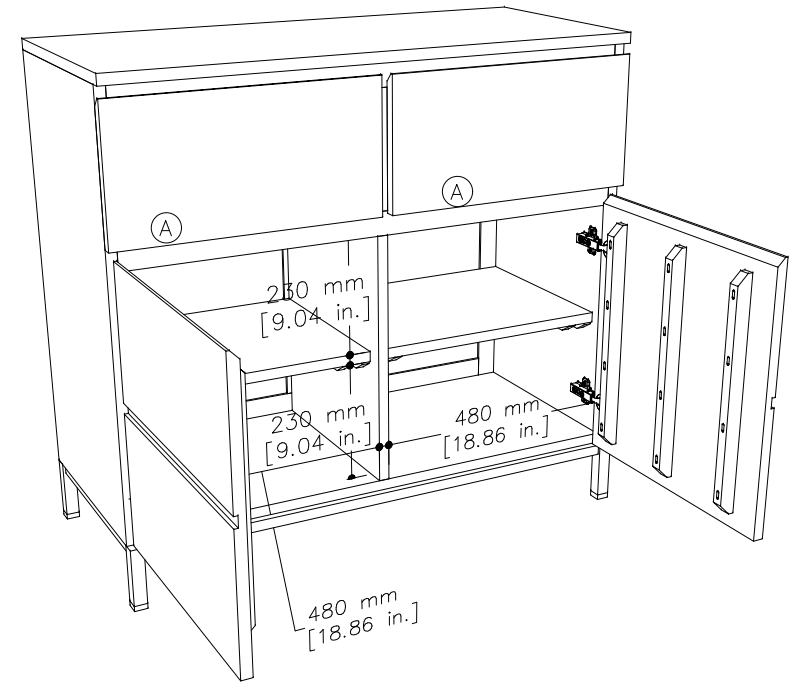
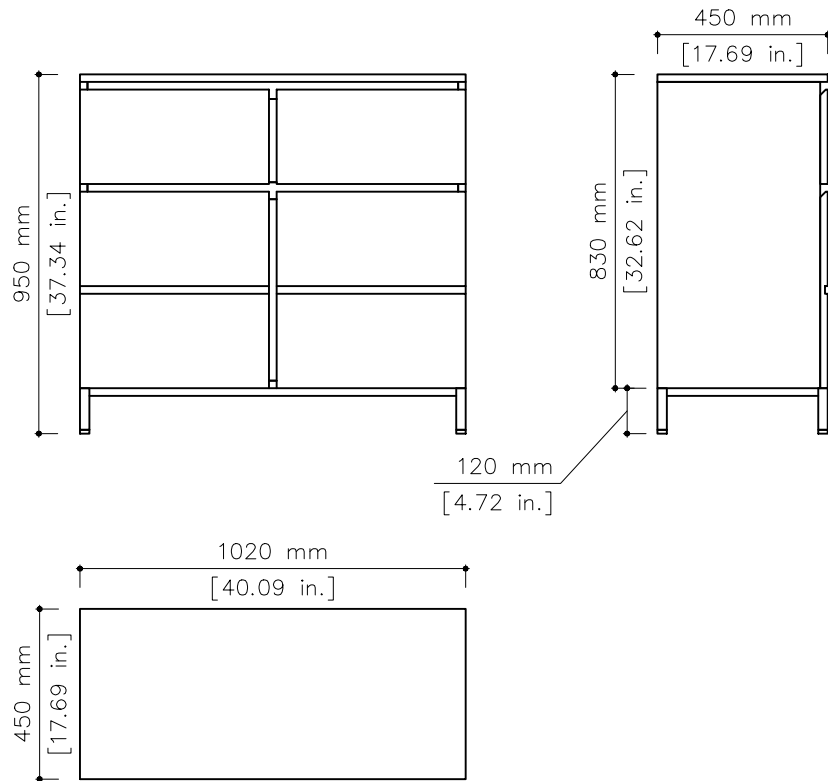


tikamoon



$\underline{W \times D \times H}$

Ⓐ 440 x 335 x 180 mm

$\underline{W \times D \times H}$

Ⓐ 17.32 x 13.18 x 7.08 in.

CL29



$\underline{W \times D \times H \text{ (mm)}}$
1110 x 540 x 1020

$\underline{W \times D \times H \text{ (in.)}}$
43.70 x 21.25 x 40.15