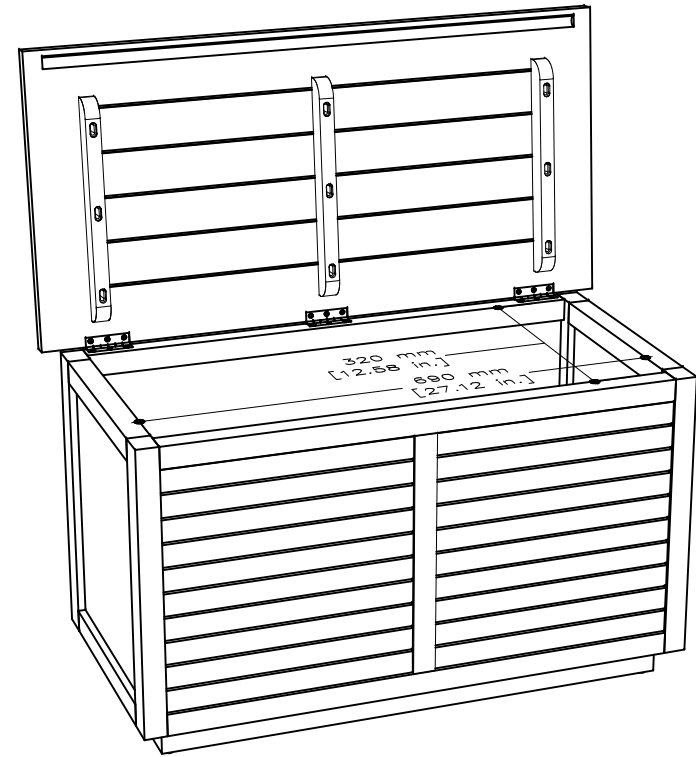
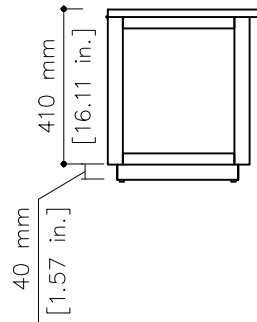
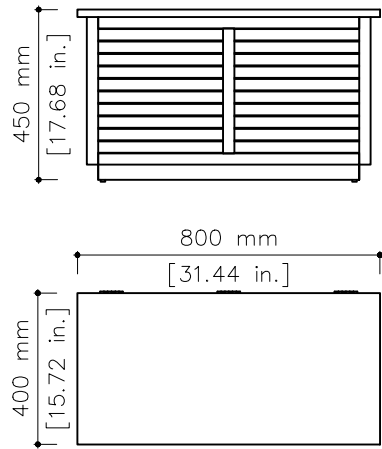
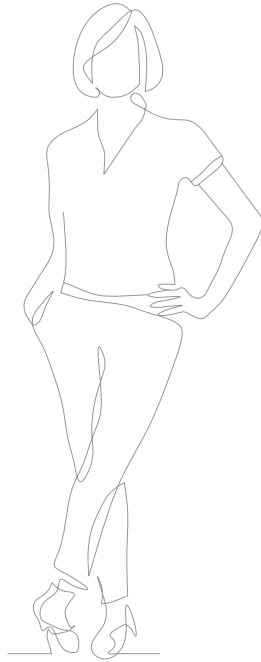
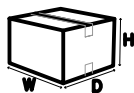


# tikamoon



CHE0015



**W x D x H (mm)**  
**900 x 495 x 555**

**W x D x H (in.)**  
**35.43 x 19.48 x 21.85**