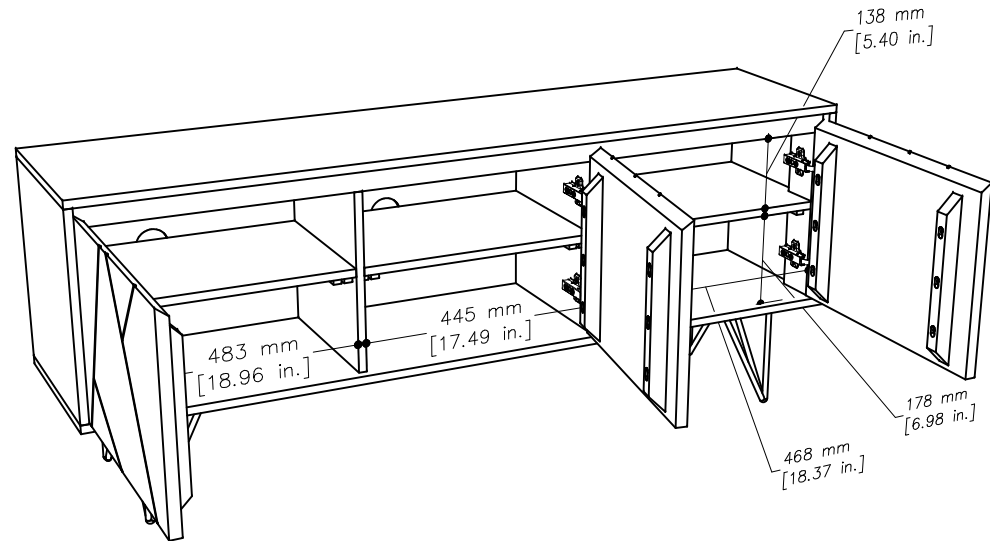
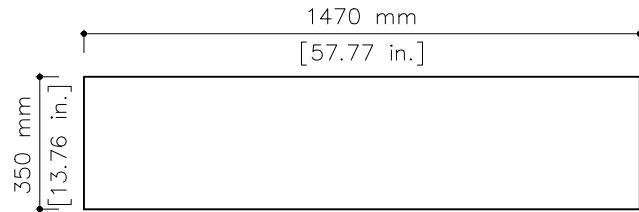
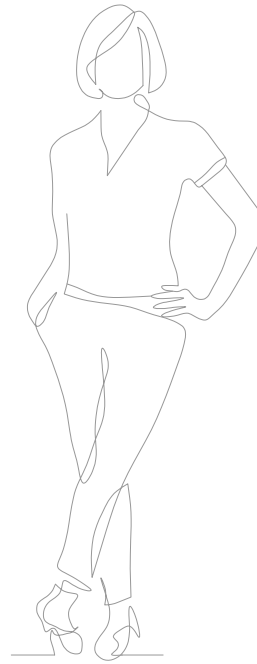
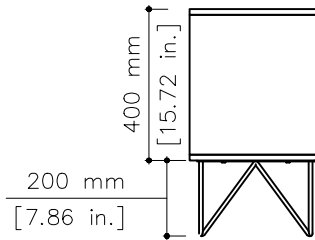
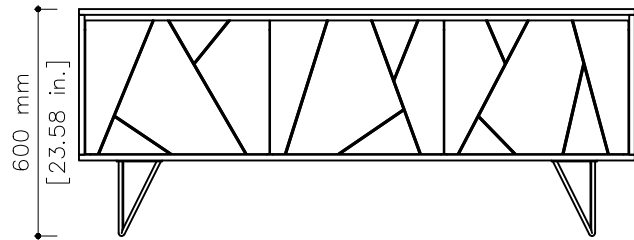
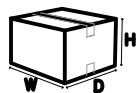


# tikamoon



BT0135M\_2



**W x D x H (mm)**  
**1570 x 460 x 505**

**W x D x H (in.)**  
**61.81 x 18.11 x 19.88**