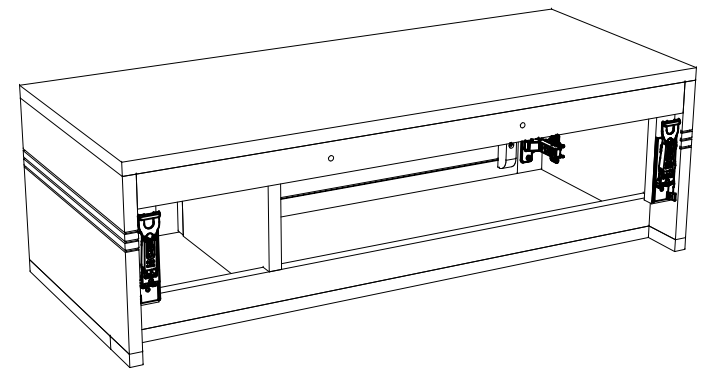
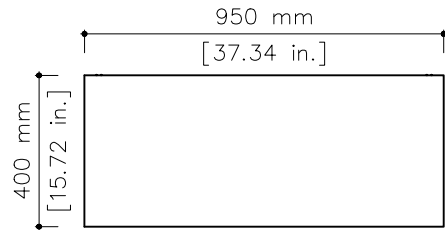
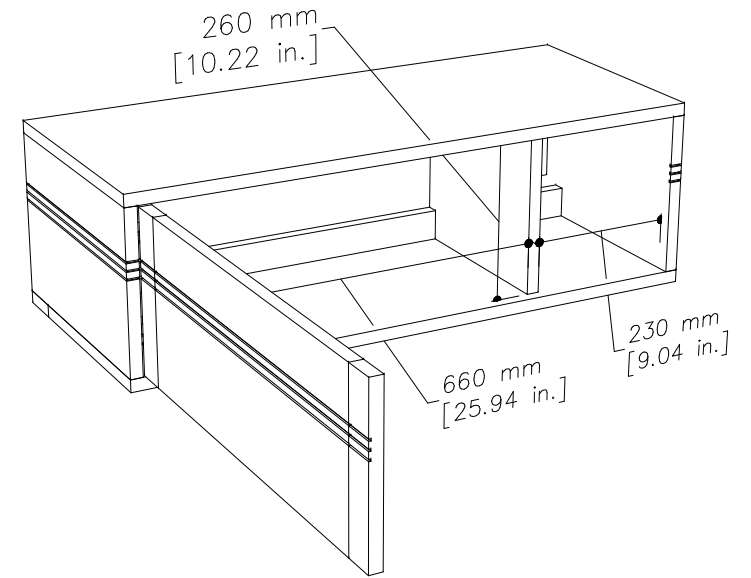
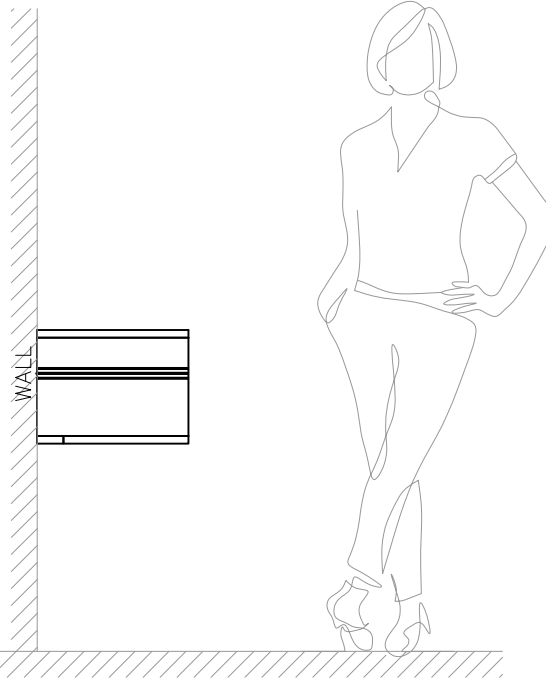
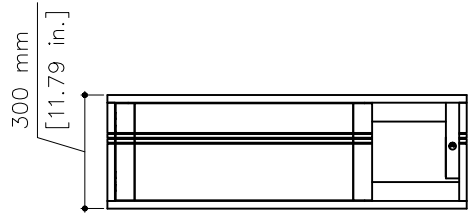


# tikamoon



BS01\_4



**W x D x H (mm)**  
1055 x 495 x 405

**W x D x H (in.)**  
41.53 x 19.48 x 15.94