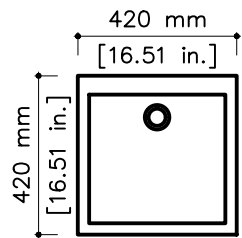
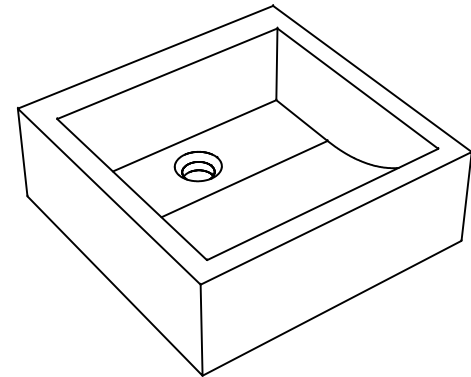
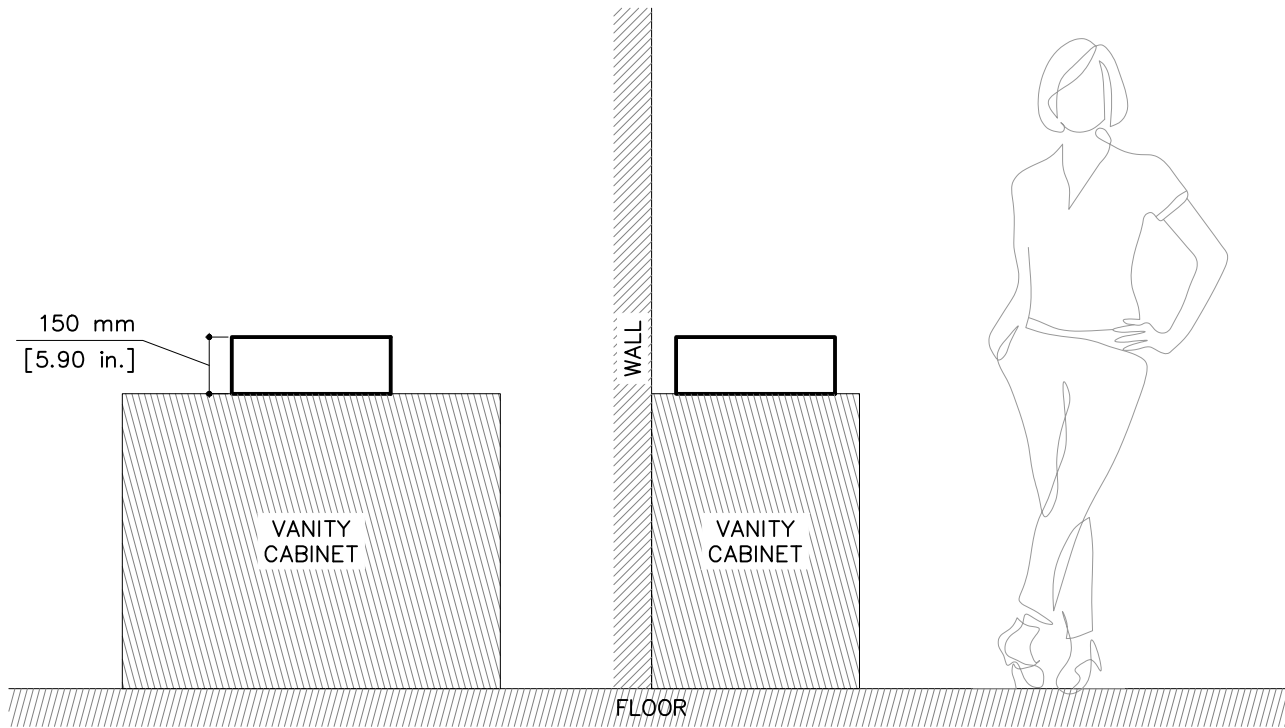
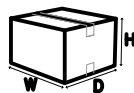


# tikamoon



AP04-42-M



**W x D x H (mm)**  
530 x 530 x 285

**W x D x H (in.)**  
20.86 x 20.86 x 11.22