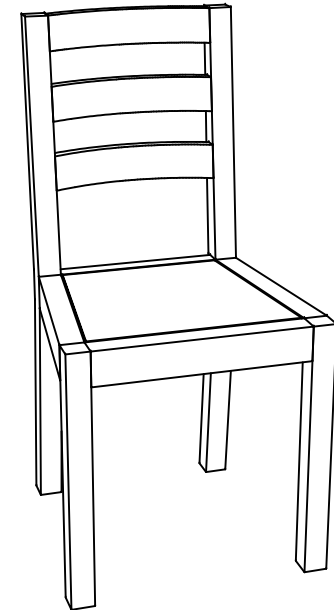
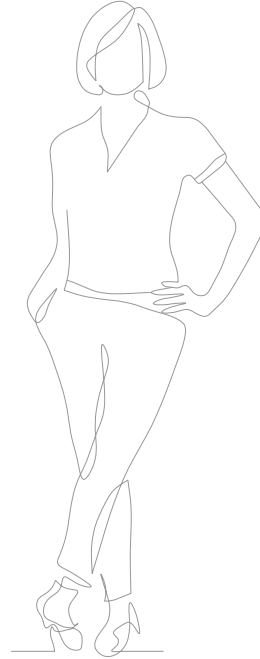
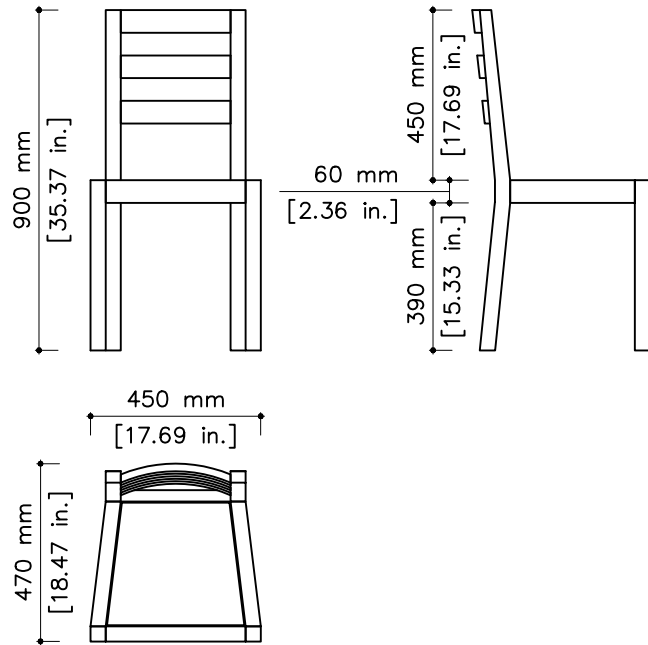
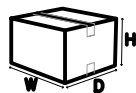


# tikamoon



AL001\_3



**W x D x H (mm)**  
600 x 490 x 960

**W x D x H (in.)**  
23.62 x 19.29 x 37.79