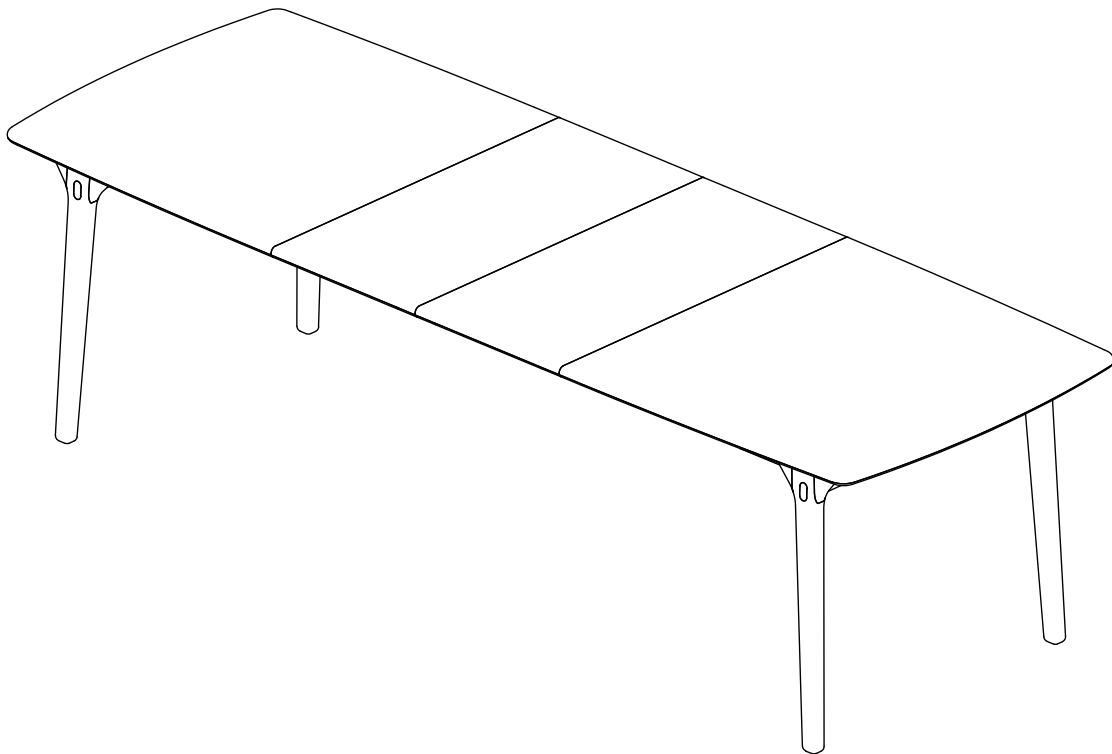


DIN0098

X-Ray Oak Extendable Table 180x95



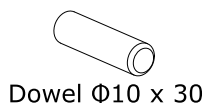
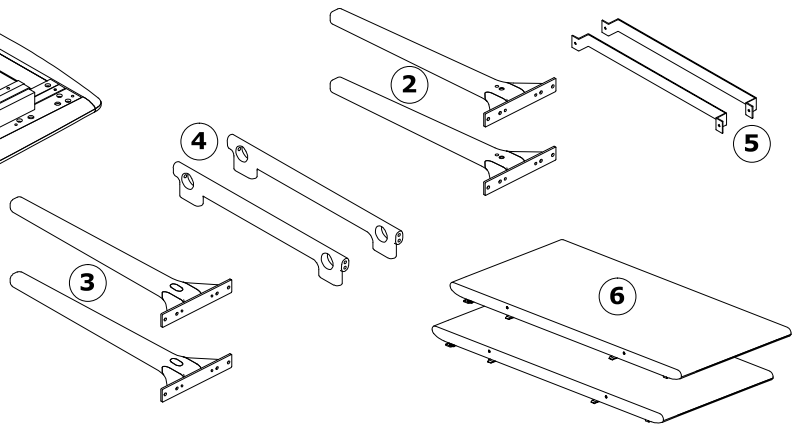
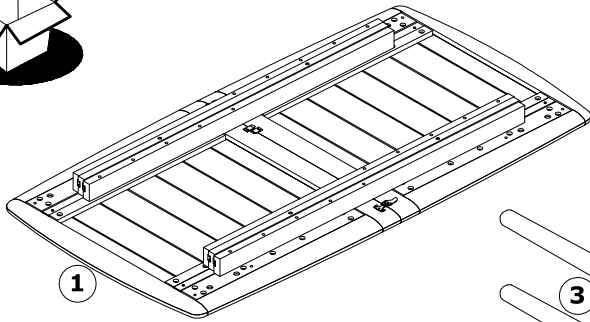
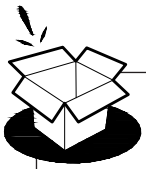
(FR) Notice de Montage -
Utilisation - Entretien

(IT) Istruzioni per il Montaggio,
l'Uso e la Manutenzione

(DE) Montage - Verwendung -
Wartungshandbuch

(ES) Instrucciones de Montaje,
Utilización y Mantenimiento

(EN) Assembly - Use -
Maintenance Manual



A x4

Dowel $\Phi 10 \times 30$



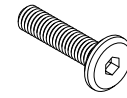
F x8

Flat washer



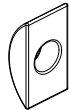
B x4

Headless bolt M8x90



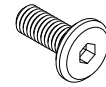
G x8

JCBC Bolt M6x25



C x4

Half moon



H x4

JCBC Bolt M6x15



D x4

Hex Nut M8



J x2

Spanner



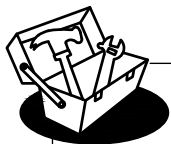
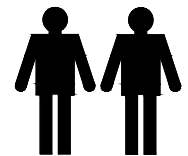
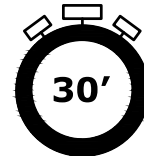
E x12

Spring washer

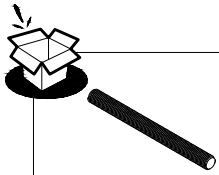


K x2

Allen key

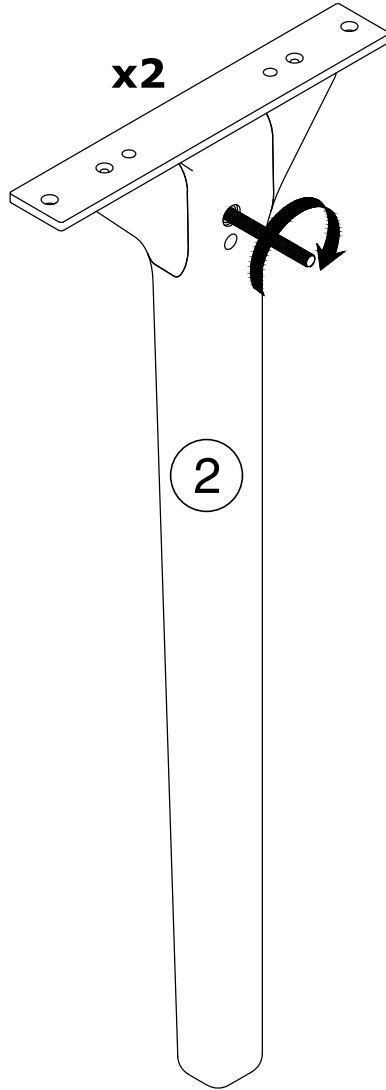


**NOT INCLUDED
NON FOURNIS**



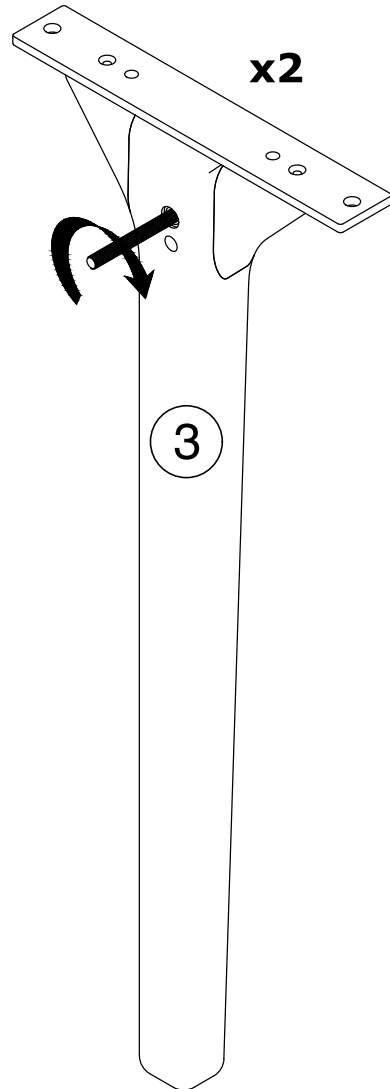
B x4

i



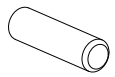
x2

2



x2

3



A x4



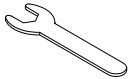
C x4



D x4

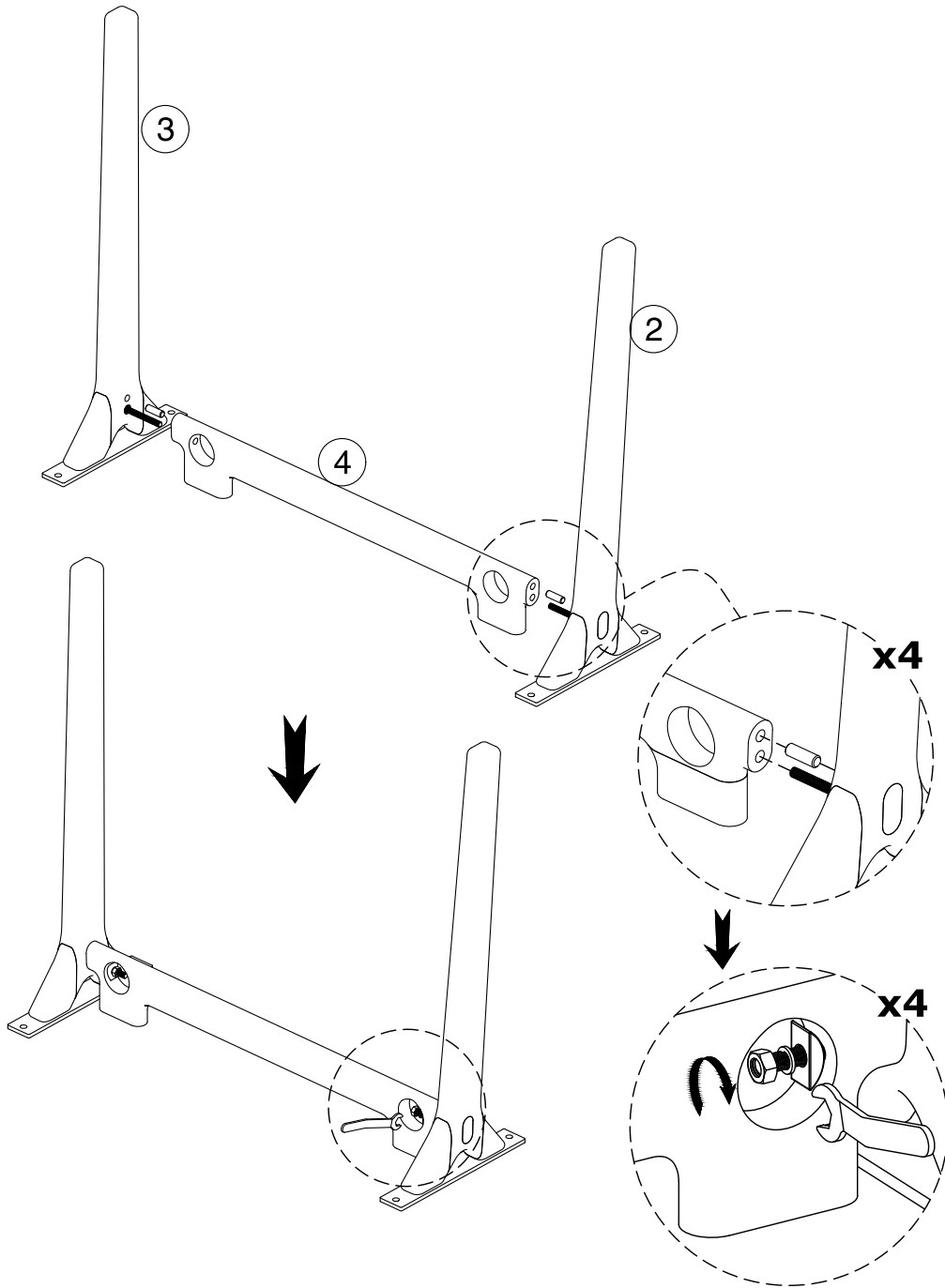


E x4



J x2

ii



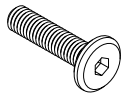
*** Tighten the nuts fully**



E x8



F x8

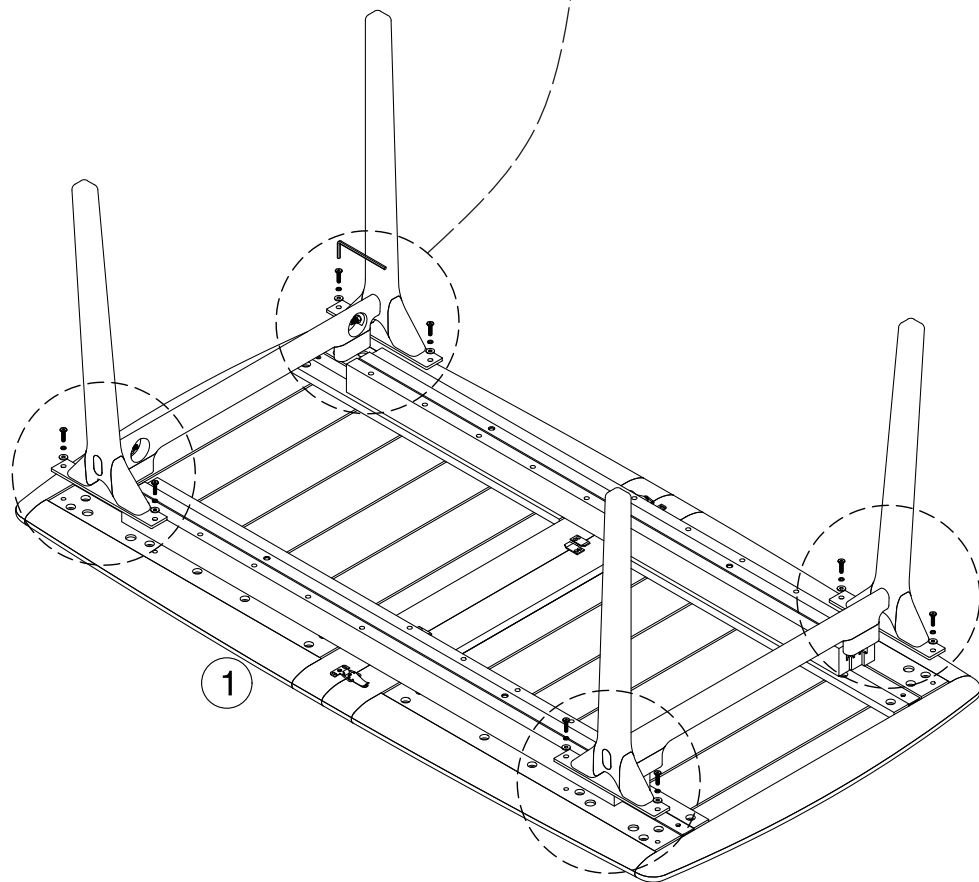
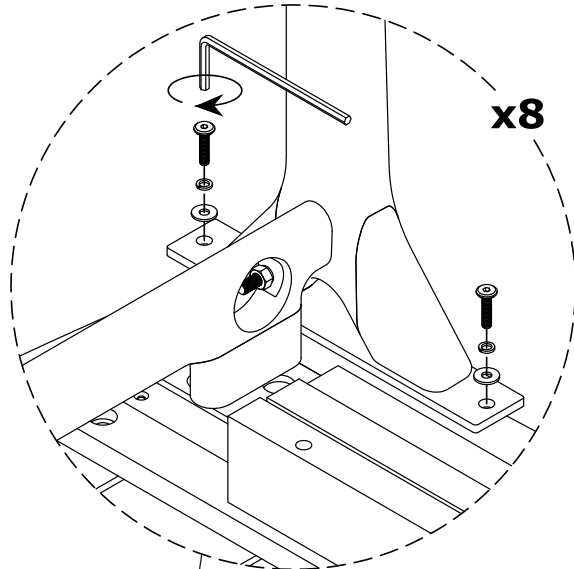


G x8

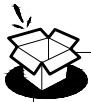


K x2

iii



*** Tighten the bolts loosely**

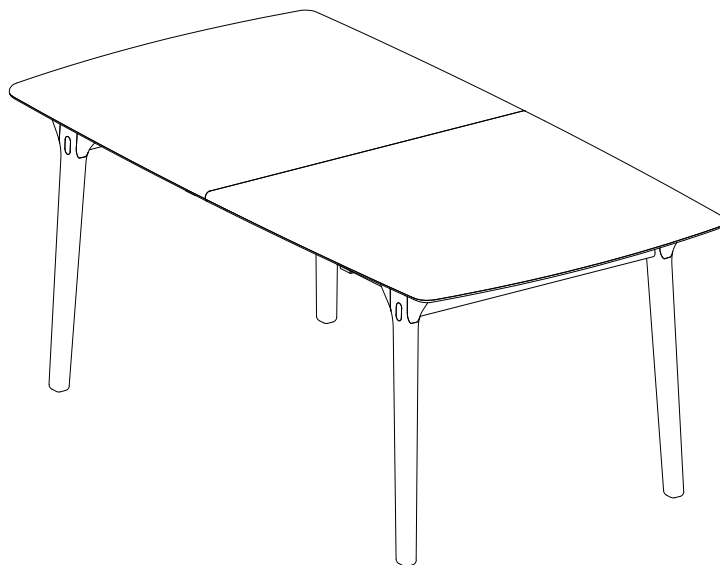
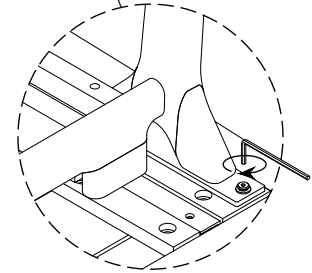
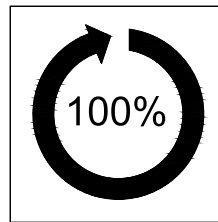
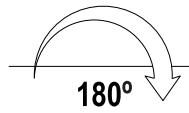
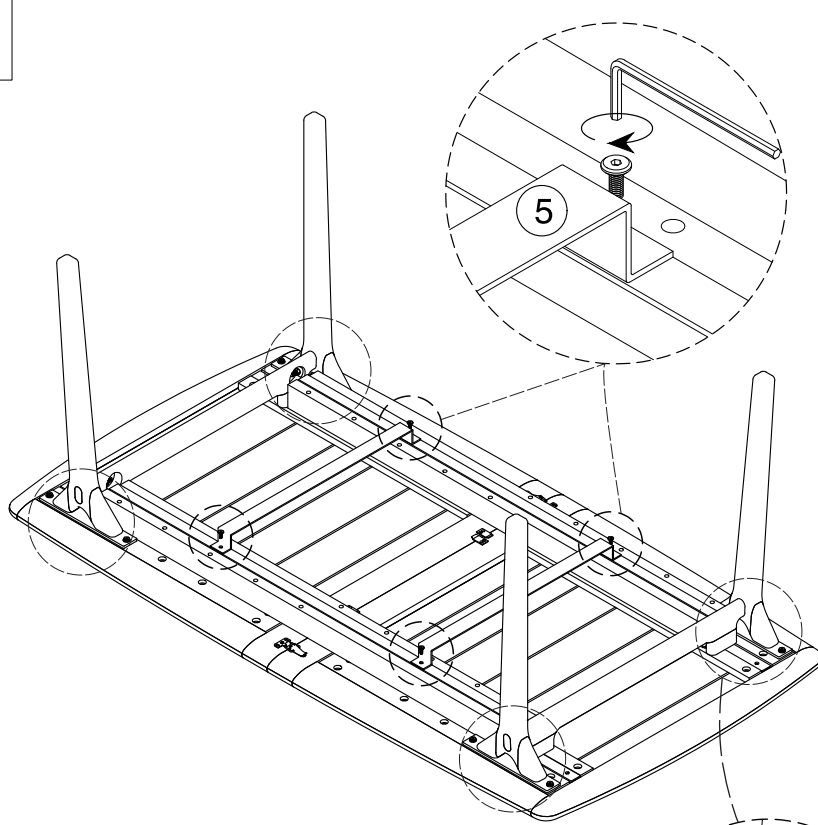


H x4



K x2

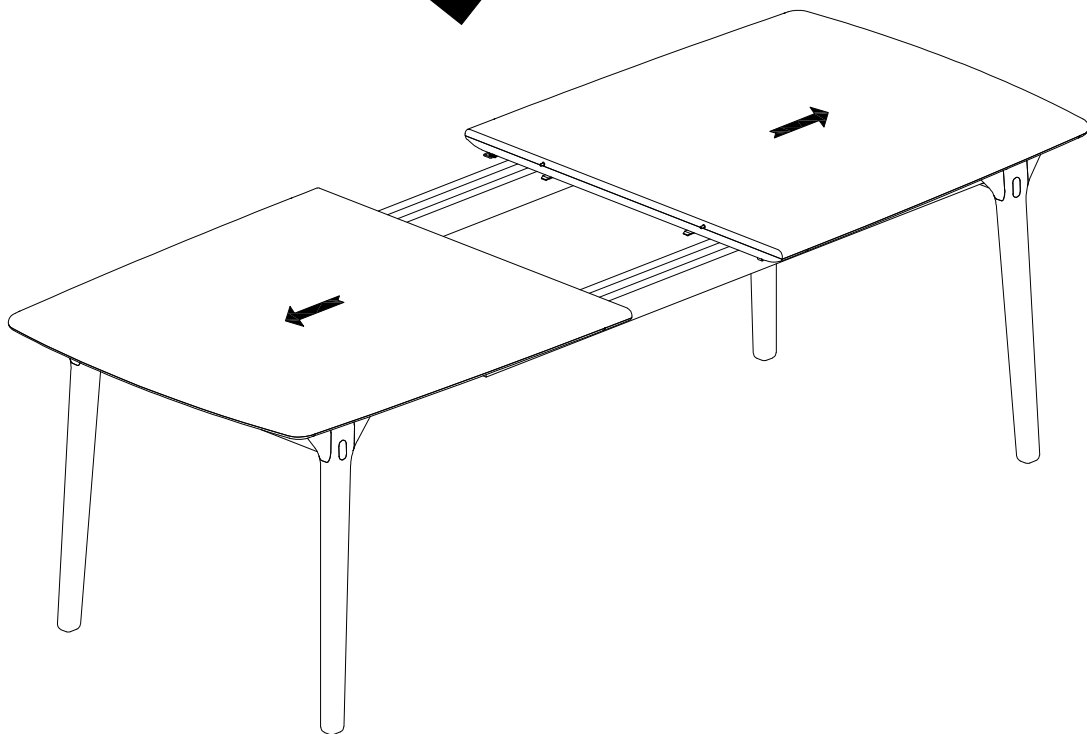
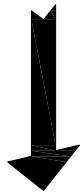
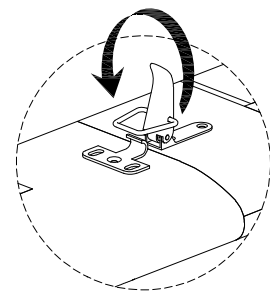
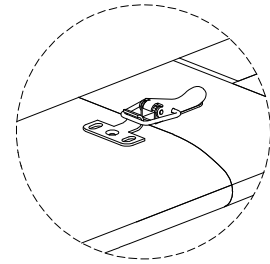
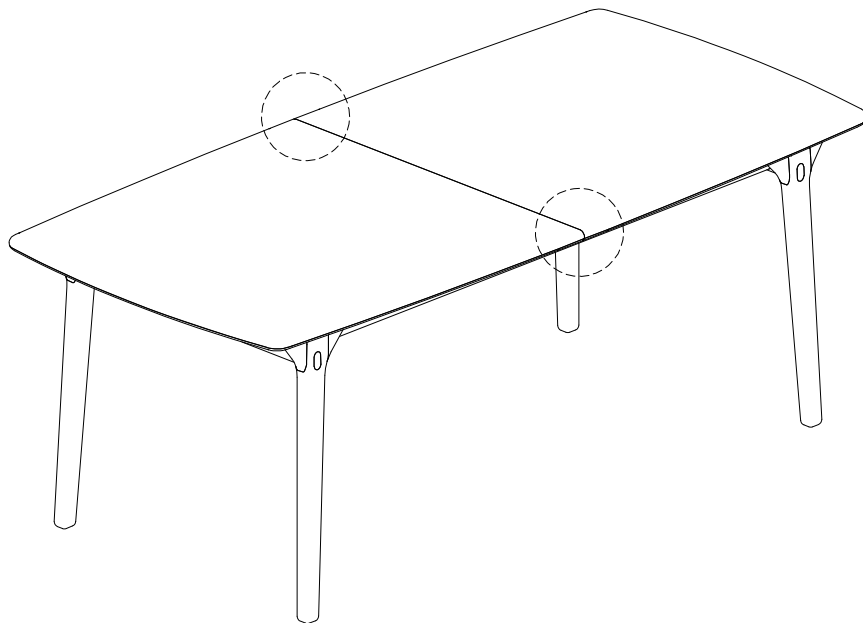
iv

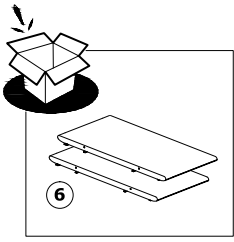


*** Tighten the bolts fully**

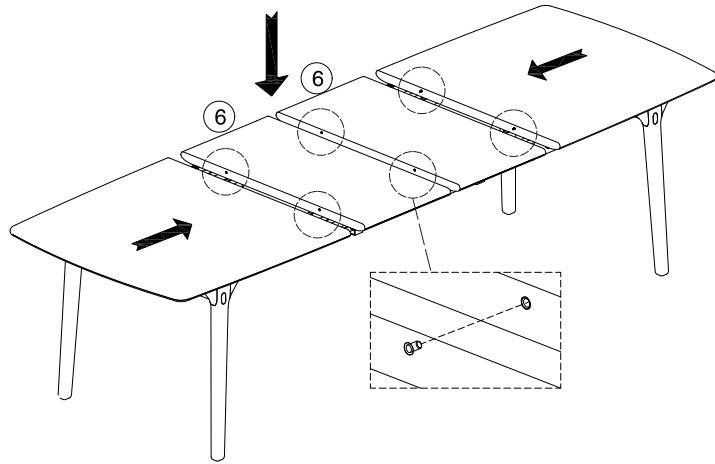
Adding the leaves

V



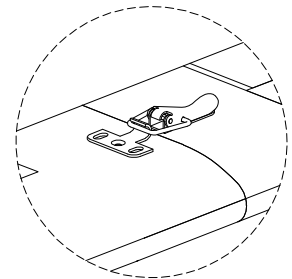
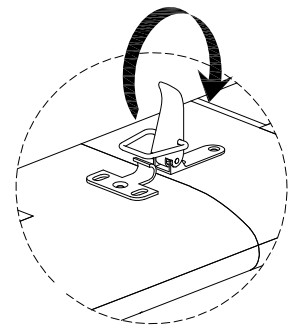
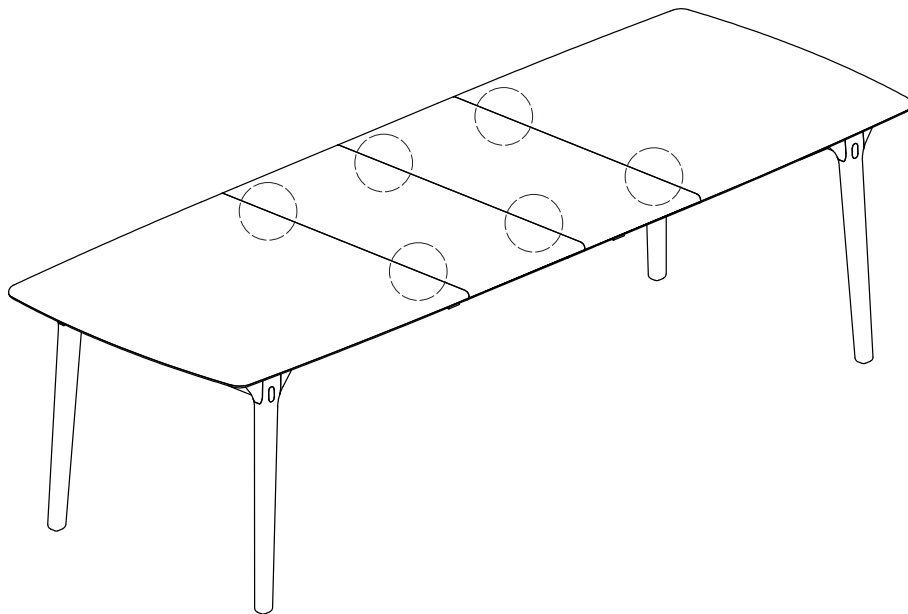


vi



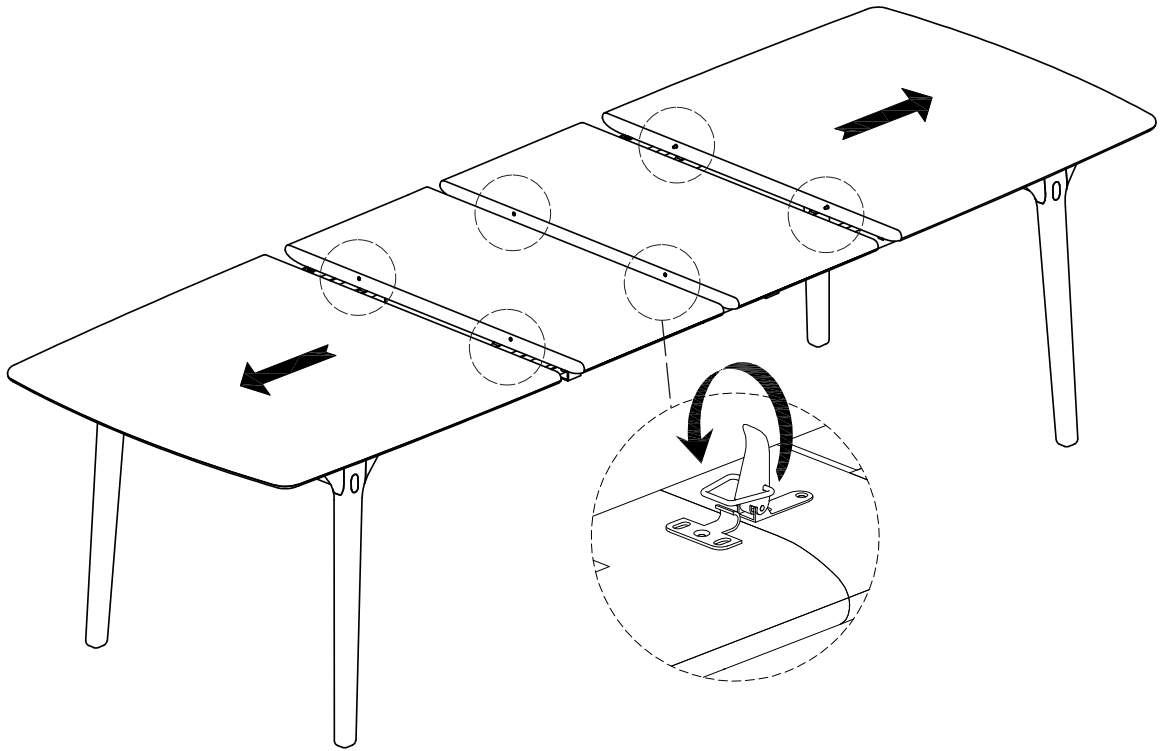
***Handle the leaves with care to prevent scratching other surfaces.**

vii

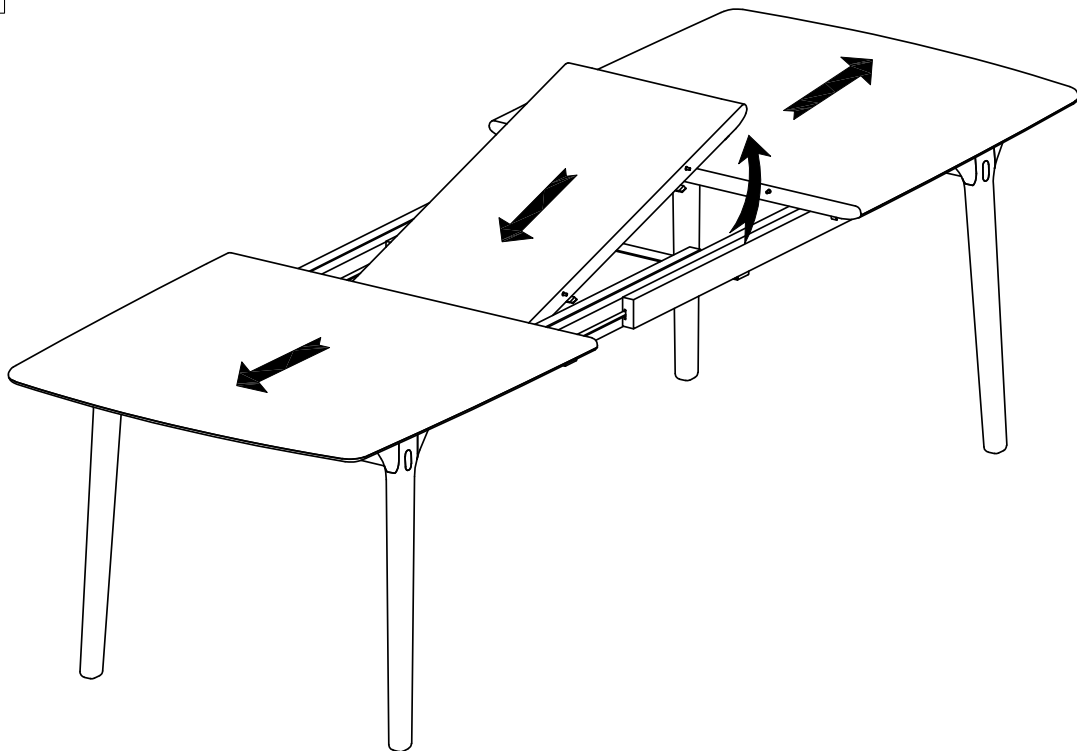


Removing the leaves

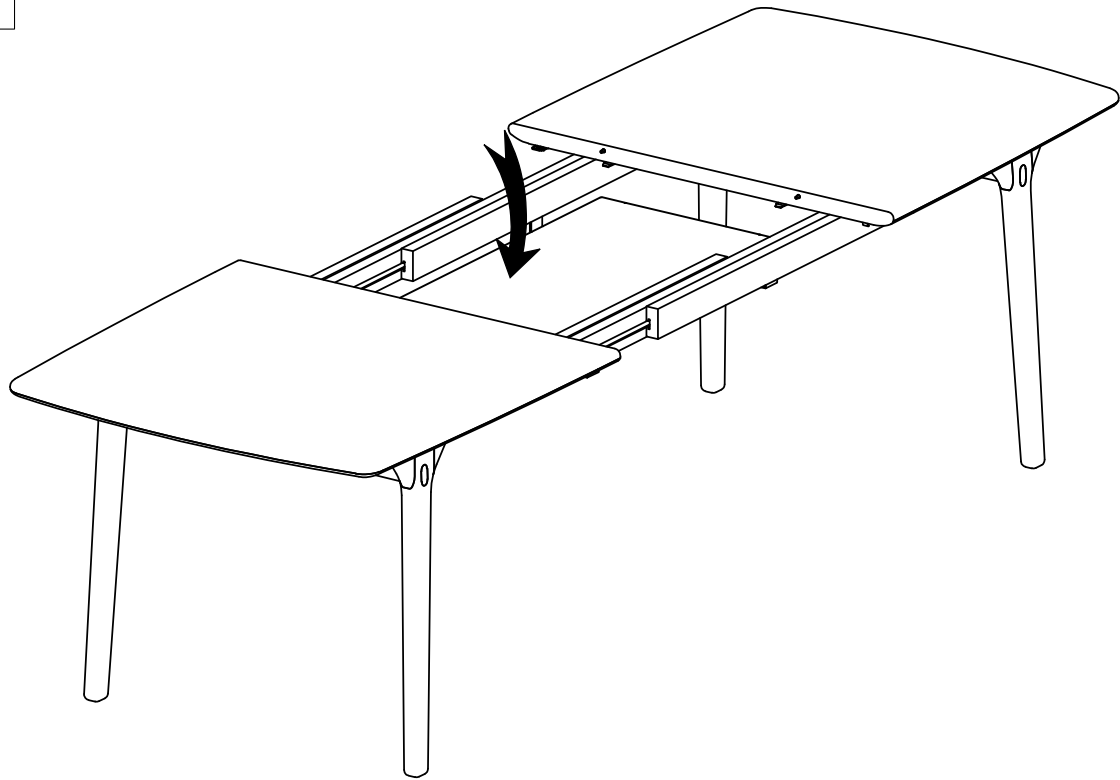
viii



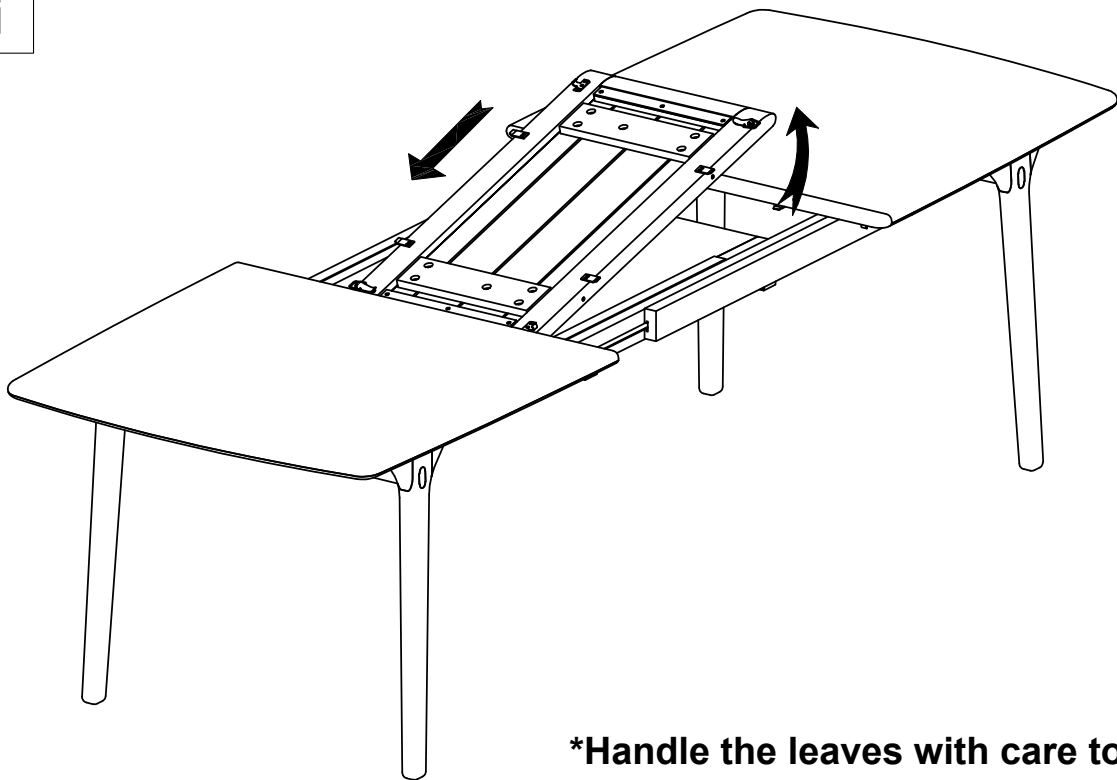
ix



x

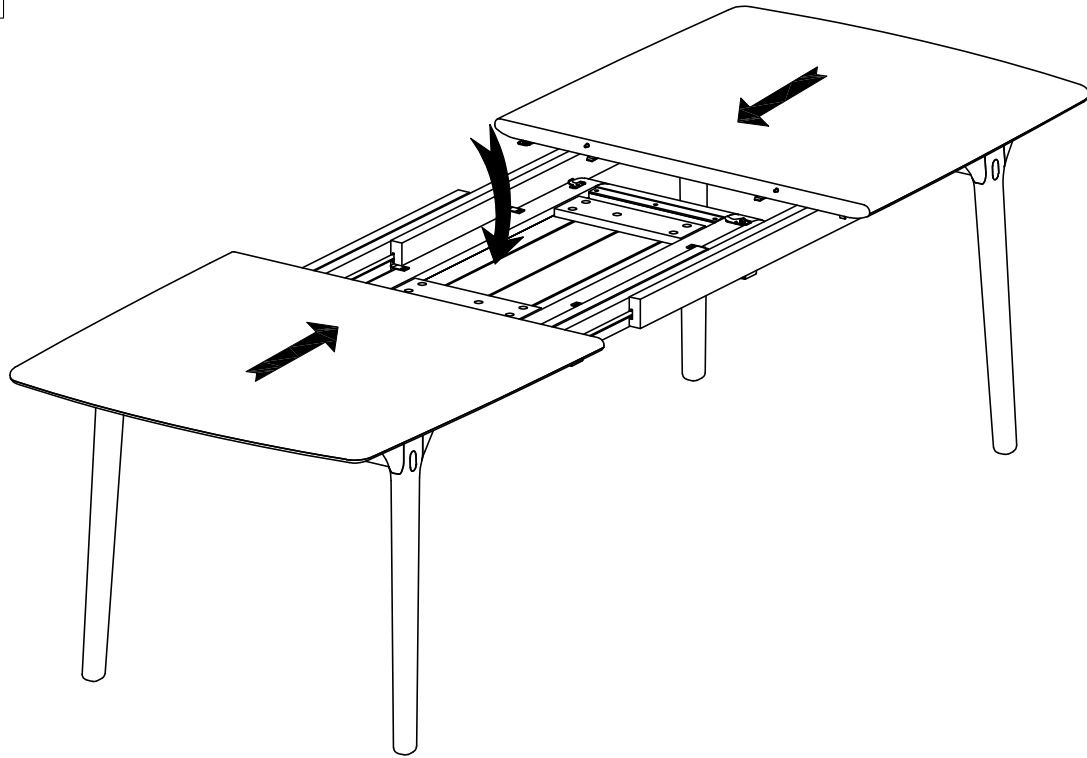


xi



***Handle the leaves with care to prevent scratching other surfaces.**

xii



xiii

