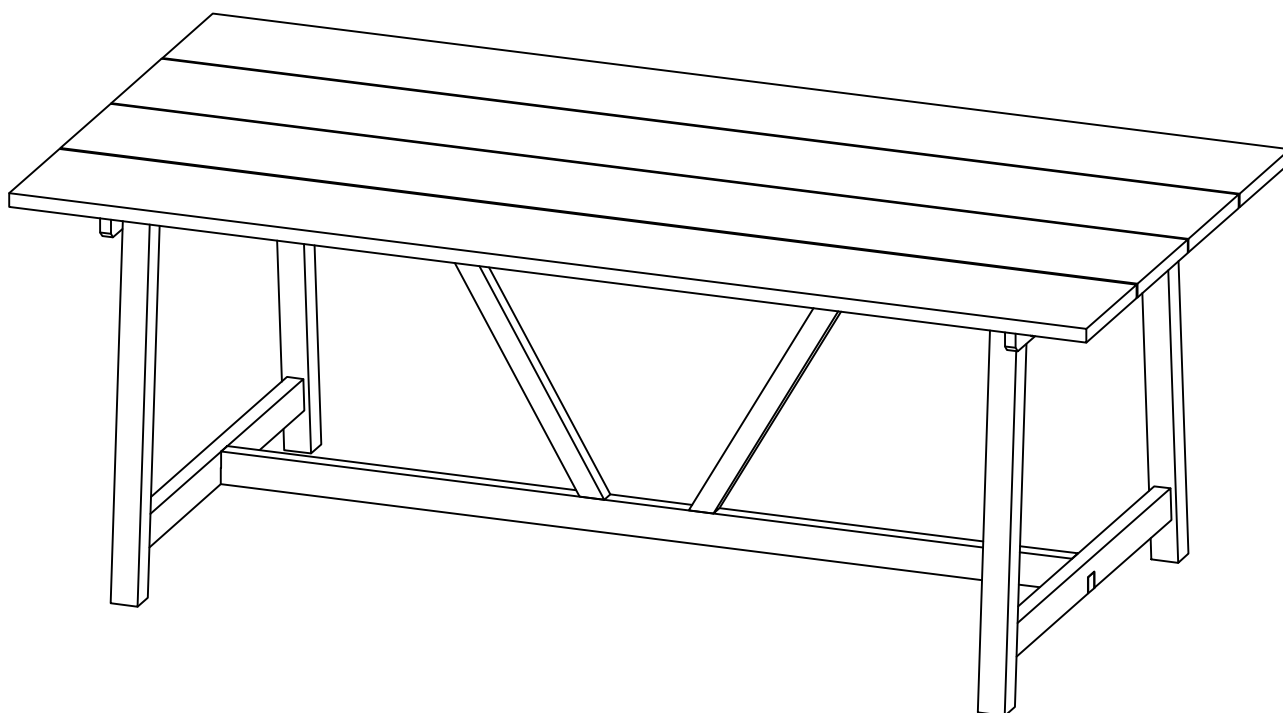


DIN 0047

# Outdoor Acacia Rectangular Table 200x100



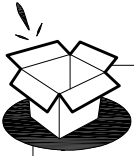
(FR) Notice de Montage -  
Utilisation - Entretien

(IT) Istruzioni per il Montaggio,  
l'Uso e la Manutenzione

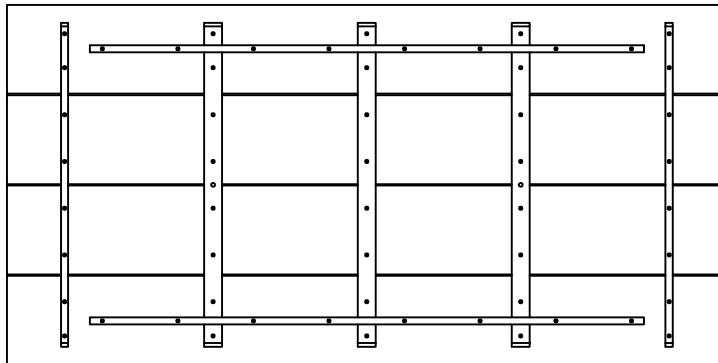
(DE) Montage - Verwendung -  
Wartungshandbuch

(ES) Instrucciones de Montaje,  
Utilización y Mantenimiento

(EN) Assembly - Use -  
Maintenance Manual



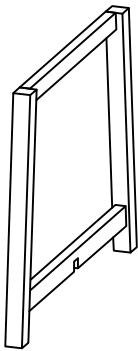
A = 1 PCS



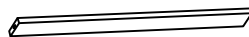
B = 1 PCS



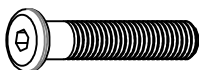
C = 2 PCS



D = 2 PCS



① x18  
Allen Bolt M8x40



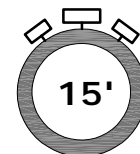
② x12  
Spring Washer  
8.5x13

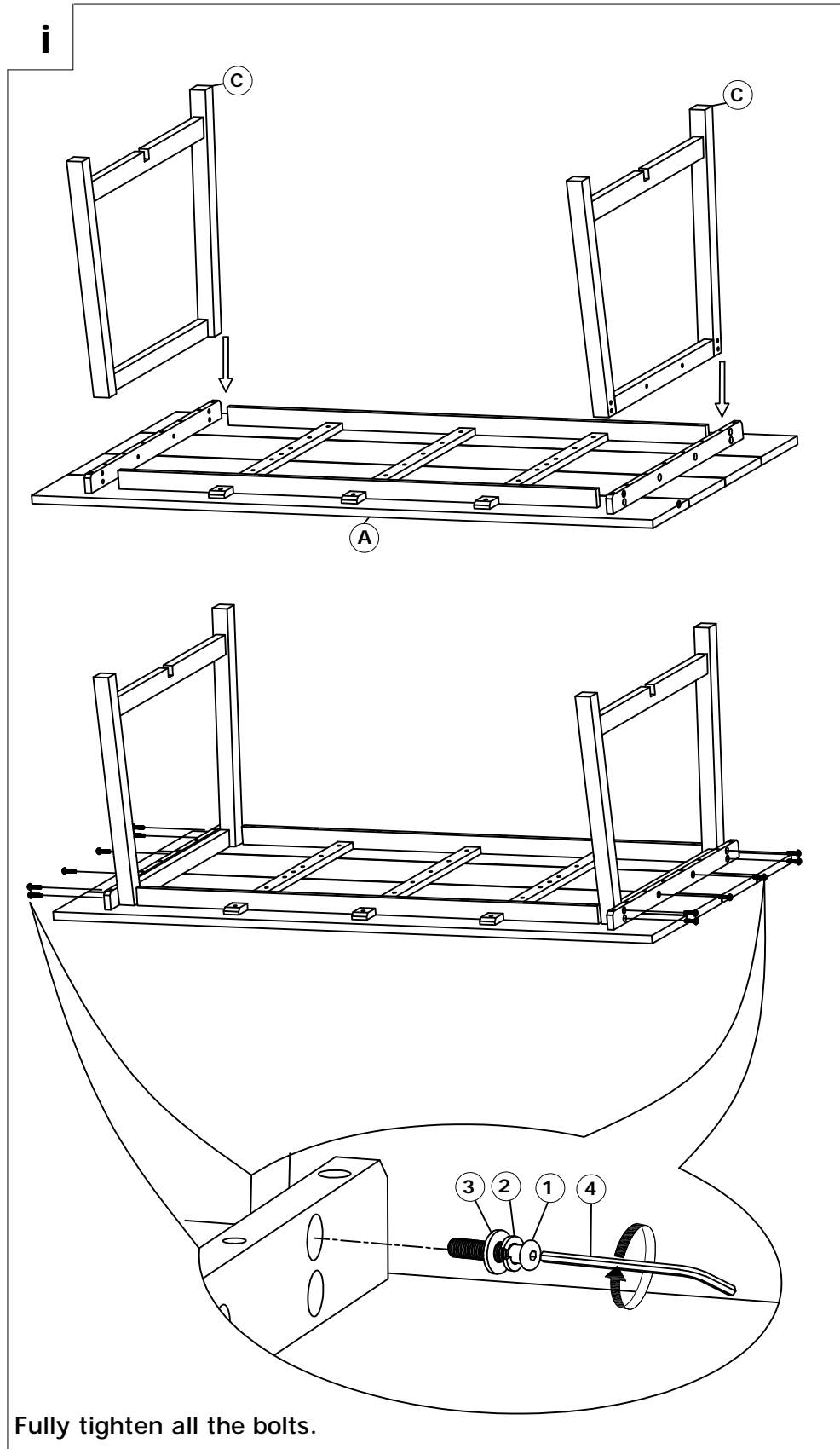
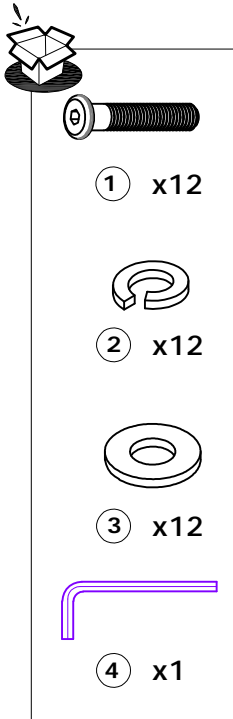


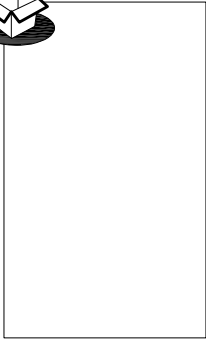
③ x12  
Washer  
8.5x19



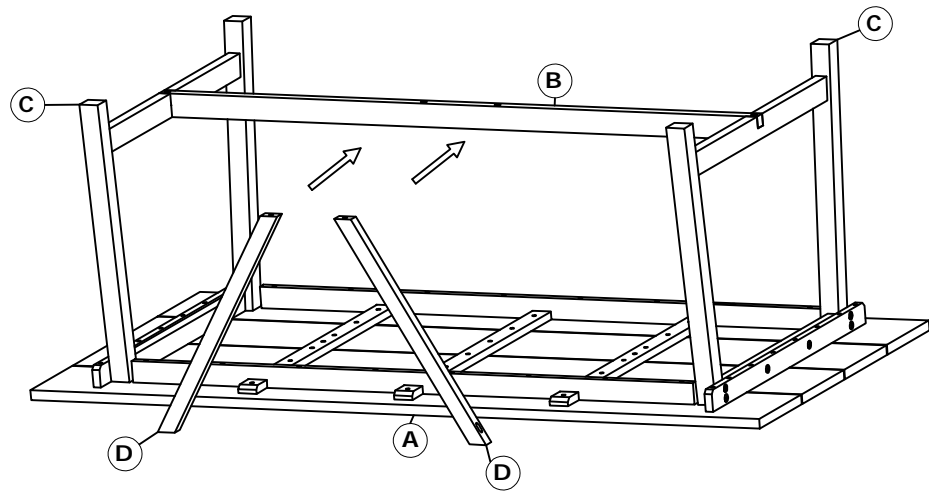
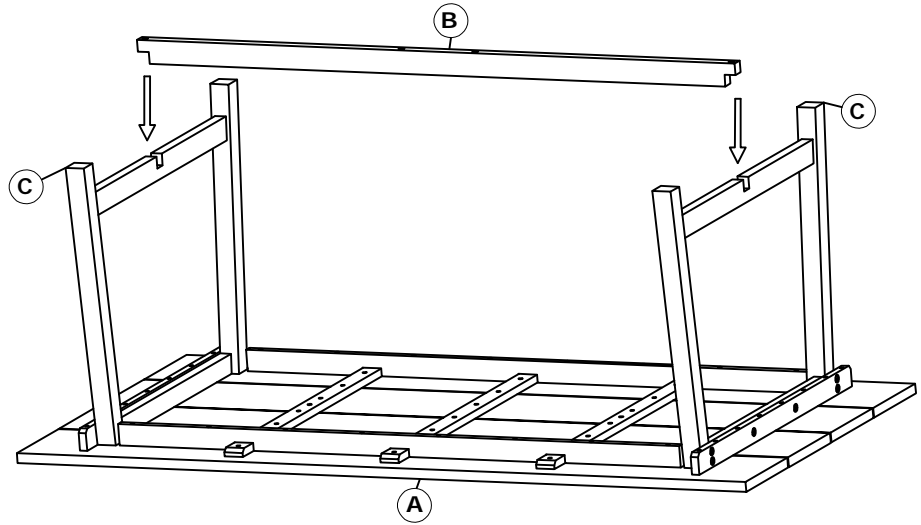
④ x1  
Allen Key 4x80 mm

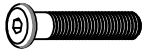






ii



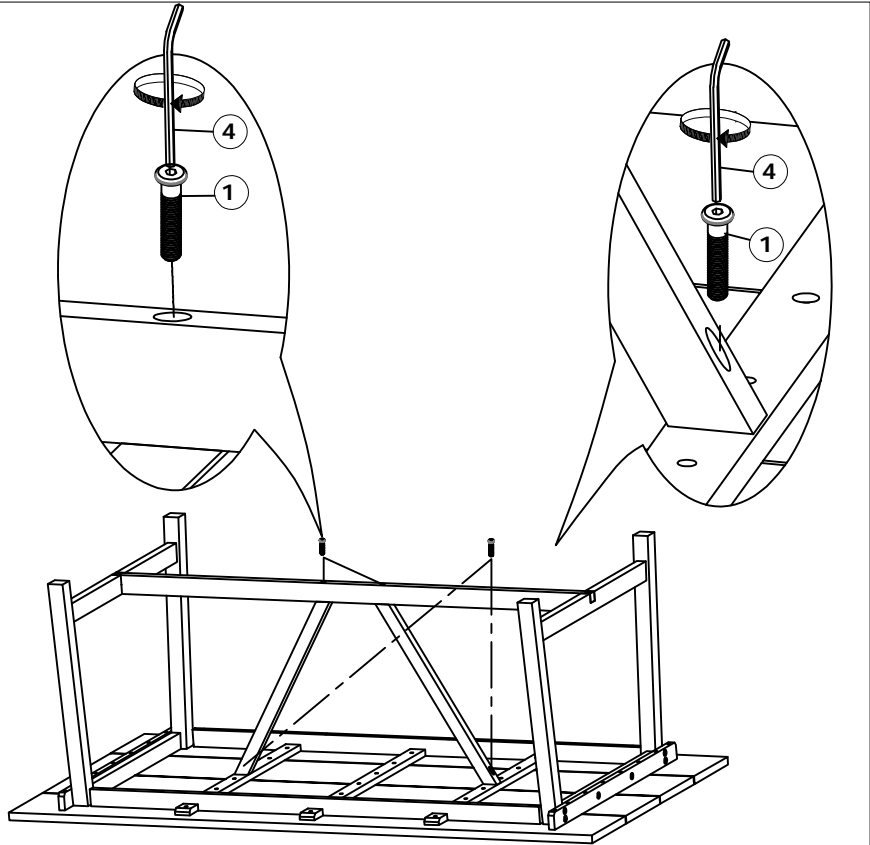


1 x6

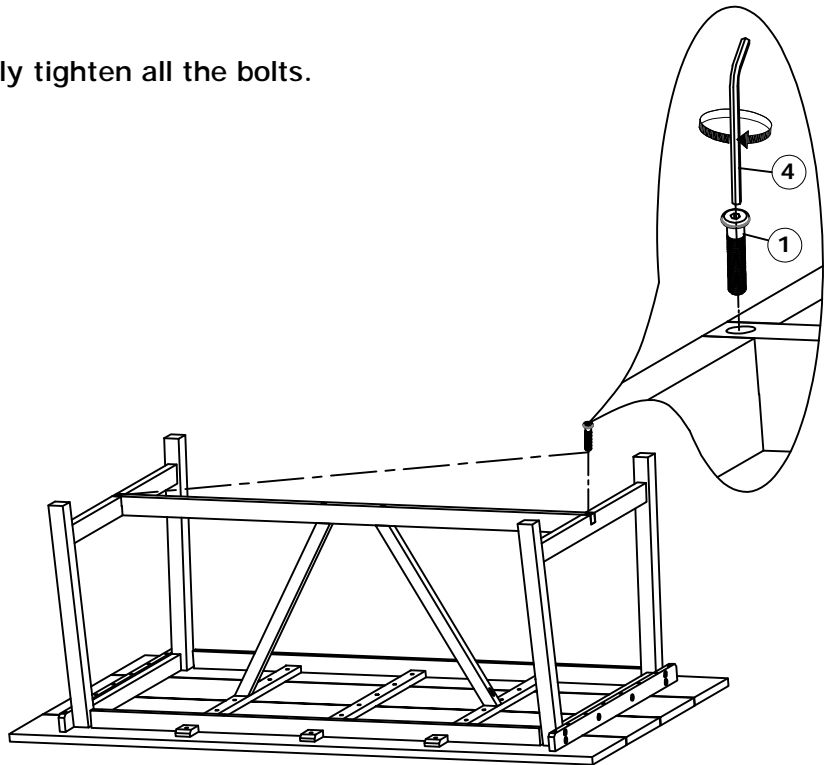


4 x1

iii



Don't fully tighten all the bolts.



Fully tighten all the bolts.